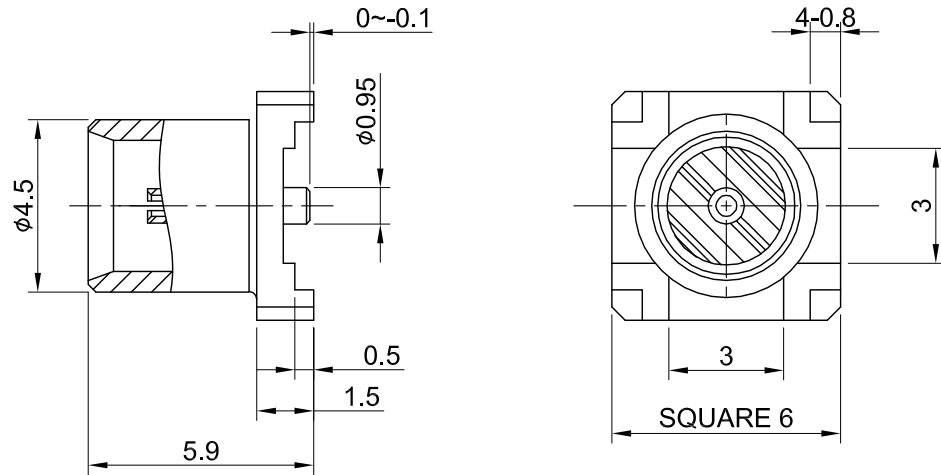
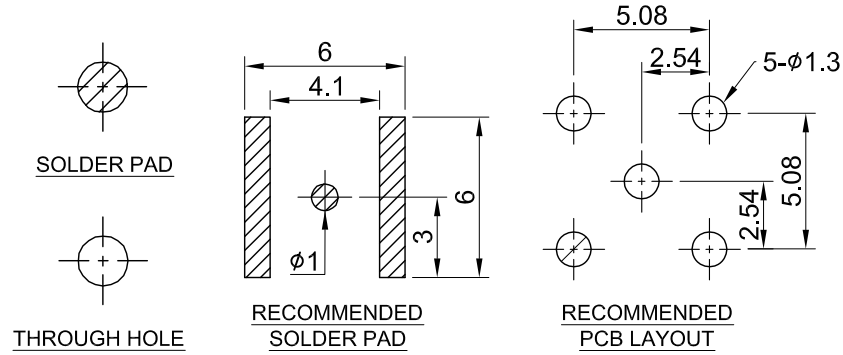



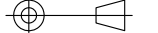
REV	DESCRIPTION	DATE
2.10	INITIAL DESIGN	2023/07/03



MECHANICAL DATA
 DURABILITY : 500 CYCLES
 TEMPERATURE RANGE : -65°C ~ + 165°C

ELECTRICAL DATA
 FREQUENCY RANGE: DC~3GHz
 IMPEDANCE : 75Ω
 VSWR : 1.3 MAX.
 WORKING VOLTAGE : AC 335V
 WITHSTANDING VOLTAGE : AC 500V
 INSULATION RESISTANCE : 1000 mΩ MIN

03	CENTER PIN	Be.Cu	GOLD	1
02	INSULATOR	TEFLON	NONE	1
01	BODY	BRASS	GOLD	1
NO	DESCRIPTION	MATERIAL	FINISH	Q'TY

TITLE MCX(F) st. SMT type, 75ohm	
DWG NO. C08ON3F07	
CUST. P/N: N/A DWG NO: N/A	
SHEET 1 of 1	GENERAL TOLERANCES .X ±0.2 .XX ±0.2 .XXX ±0.2 ANGLES N/A
Unit: mm	DRAWN BY: Kelly 2023/07/03 CHK'D BY: Mindy 2023/07/03  REV. 2.10 DA2306280009