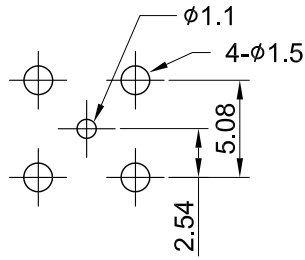
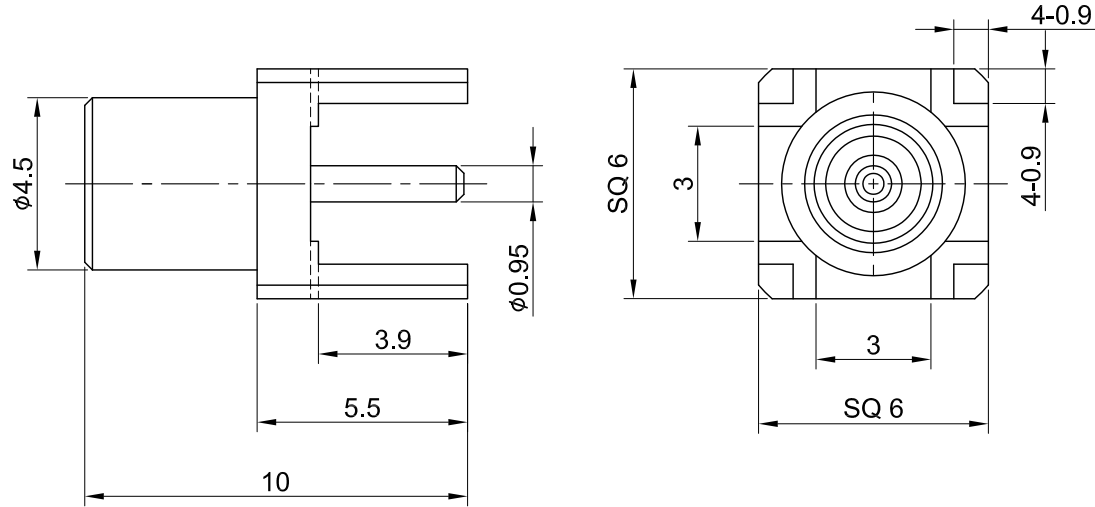


REV	DESCRIPTION	DATE
A	INITIAL DESIGN	2009/12/03
1.10	NEW DRAWING FRAME	2024/08/29



RECOMMENDED
PCB HOLE



MECHANICAL DATA
 DURABILITY : 500 CYCLES
 TEMPERATURE RANGE : -65°C ~ + 165°C

ELECTRICAL DATA
 FREQUENCY RANGE: DC~3GHz
 IMPEDANCE : 50Ω
 VSWR : 1.5 MAX.
 WORKING VOLTAGE : AC 335V
 WITHSTANDING VOLTAGE : AC 500V
 INSULATION RESISTANCE : 1000 MΩ MIN

03	CENTER PIN	Be.Cu	GOLD	1
02	INSULATOR	TEFLON	NONE	1
01	BODY	BRASS	GOLD	1
NO	DESCRIPTION	MATERIAL	FINISH	Q'TY

TITLE		DRAWN BY: Kelly		2024/08/29
MCX(F) st. PCB Mount 75ohm		CHK'D BY: Mindy		2024/08/29
DWG NO. C08ON3FP00105				REV. 1.10
CUST. P/N: N/A DWG NO: N/A		GENERAL TOLERANCES .X ±0.2 .XX ±0.2 .XXX ±0.2 ANGLES N/A		DA2408290001 Unit: mm
SHEET 1 of 1				