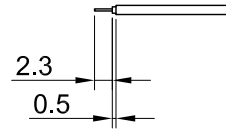
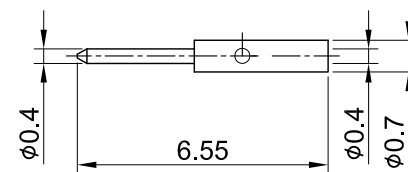
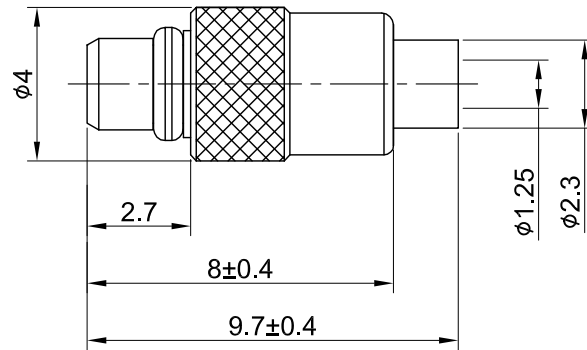


REV	DESCRIPTION	DATE
2.10	NEW DRAWING FRAME	2023/06/19
2.20	CORRECT INSULATION RESISTANCE	2023/12/18





RECOMMENDED STRIP LENGTHS



MECHANICAL DATA  
TEMPERATURE RANGE : -65°C ~ + 165°C

ELECTRICAL DATA  
FREQUENCY RANGE: DC~6GHz  
IMPEDANCE : 50Ω  
VSWR : 1.3 MAX.  
WORKING VOLTAGE : AC 170V  
WITHSTANDING VOLTAGE : AC 500V  
INSULATION RESISTANCE : 1000 MΩ MIN

05	PIN	BRASS	GOLD	1
04	BODY B	BRASS	GOLD	1
03	BODY A	BRASS	GOLD	1
02	INSULATOR	TEFLON	NONE	1
01	C RING	Be.Cu	GOLD	1
NO	DESCRIPTION	MATERIAL	FINISH	Q'TY

TITLE	
MMCX (M) st. solder type for .047 semi rigid	
DWG NO. C05AA3F047008	
CUST. P/N: N/A DWG NO: N/A	
SHEET 1 of 1	Unit: mm
GENERAL TOLERANCES .X ±0.2 .XX ±0.2 .XXX ±0.2 ANGLES N/A	DRAWN BY: Lottie 2023/12/18 CHK'D BY: Kana 2023/12/18  REV. 2.20 DA2312130044