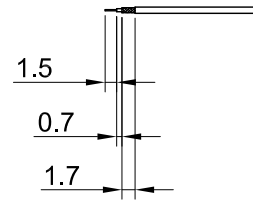
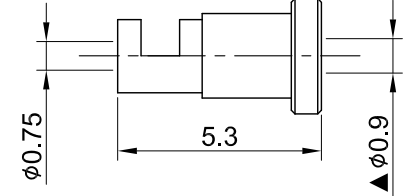
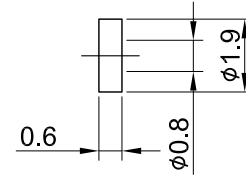
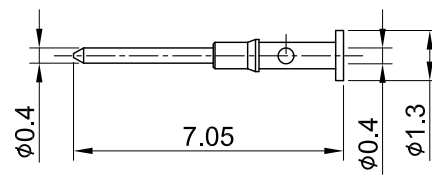
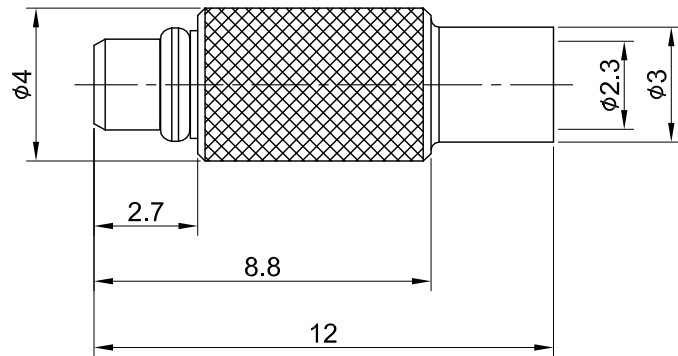


REV	DESCRIPTION	DATE
1.50	NEW DRAWING FRAME	2023/06/20
1.60	CORRECT INSULATION RESISTANCE, CHG $\phi 0.9$ W. $\phi 0.95$	2023/11/27



RECOMMENDED STRIP LENGTHS



MECHANICAL DATA
TEMPERATURE RANGE : -65°C ~ + 165°C

ELECTRICAL DATA
FREQUENCY RANGE: DC~6GHz
IMPEDANCE : 50Ω
VSWR : 1.3 MAX.
WORKING VOLTAGE : AC 170V
WITHSTANDING VOLTAGE : AC 500V
INSULATION RESISTANCE : 1000 MΩ MIN

06	FERRULE	BRASS	GOLD	1
05	INSULATOR B	TEFLON	NONE	1
04	PIN	BRASS	GOLD	1
03	BODY	BRASS	GOLD	1
02	INSULATOR A	TEFLON	NONE	1
01	C RING	Be.Cu	GOLD	1
NO	DESCRIPTION	MATERIAL	FINISH	Q'TY

TITLE MMCX (M) st. crimp for 0.81 cable		DRAWN BY: Lottie 2023/11/27	
DWG NO. C05AA3F081003D		CHK'D BY: Kana 2023/11/27	
CUST. P/N: N/A DWG NO: N/A		REV. 1.60	
SHEET 1 of 1 Unit: mm		DA2311220019	

GENERAL TOLERANCES
.X ±0.2
.XX ±0.2
.XXX ±0.2
ANGLES N/A