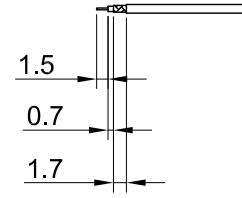
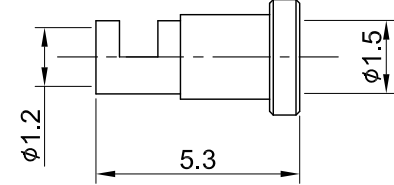
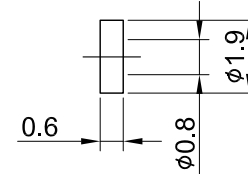
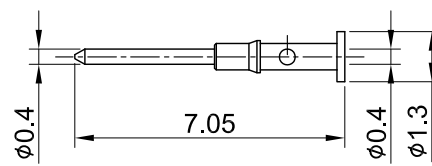
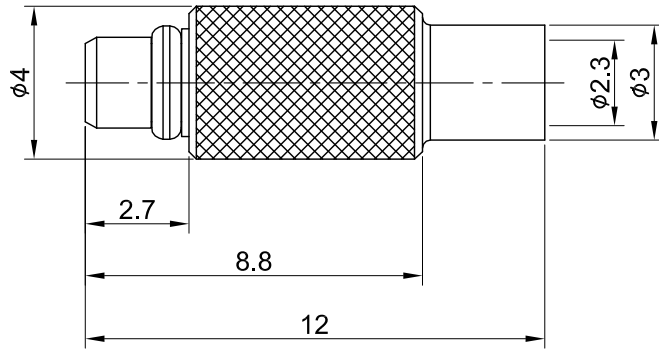


REV	DESCRIPTION	DATE
1.20	NEW DRAWING FRAME	2023/06/20
1.30	CORRECT INSULATION RESISTANCE	2023/12/15



RECOMMENDED STRIP LENGTHS



MECHANICAL DATA
TEMPERATURE RANGE : -65°C ~ + 165°C

ELECTRICAL DATA
FREQUENCY RANGE: DC~6GHz
IMPEDANCE : 50Ω
VSWR : 1.3 MAX.
WORKING VOLTAGE : AC 170V
WITHSTANDING VOLTAGE : AC 500V
INSULATION RESISTANCE : 1000 MΩ MIN

06	FERRULE	BRASS	GOLD	1
05	INSULATOR	TEFLON	NONE	1
04	PIN	BRASS	GOLD	1
03	BODY	BRASS	GOLD	1
02	INSULATOR	TEFLON	NONE	1
01	C RING	Be.Cu	GOLD	1
NO	DESCRIPTION	MATERIAL	FINISH	Q'TY

TITLE		DRAWN BY:		DATE	
MMCX (M) st. crimp for 1.32 cable		Lottie	2023/12/15		
DWG NO. C05AA3F132003		CHK'D BY:	Kana	2023/12/15	
CUST. P/N: N/A DWG NO: N/A		GENERAL TOLERANCES		REV.	
SHEET 1 of 1 Unit: mm		.X ±0.2	DA2312120010		1.30
		.XX ±0.2			
		.XXX ±0.2			
		ANGLES N/A			

