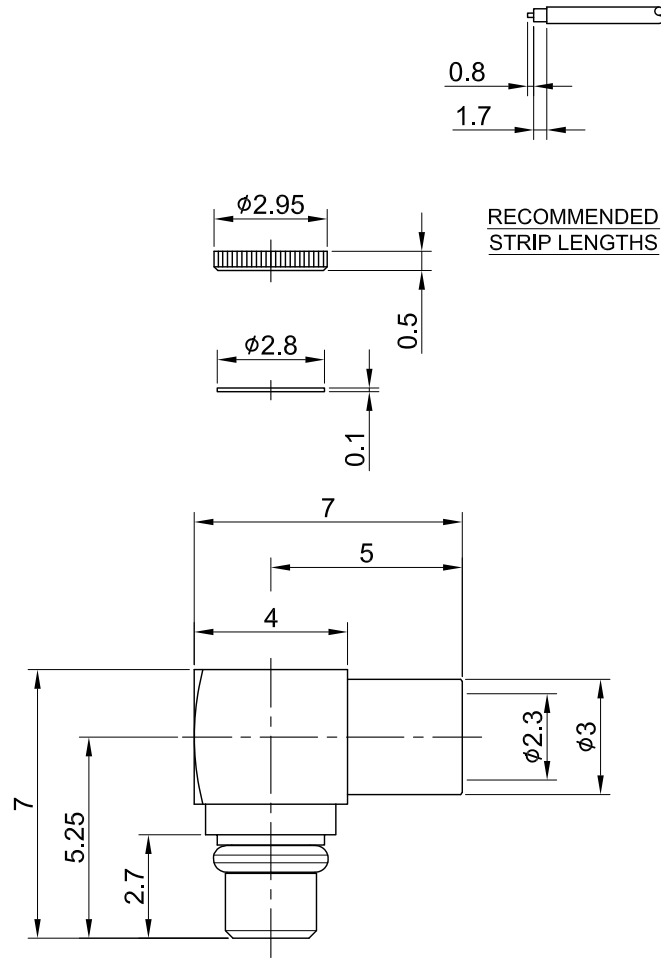


REV	DESCRIPTION	DATE
3.10	CORRICT INSULATOR COVER MATERIAL	2023/06/30
3.20	CORRECT INSULATION RESISTANCE	2023/11/16



MECHANICAL DATA  
 DURABILITY : 100 CYCLES  
 TEMPERATURE RANGE : -40°C ~ + 85°C

ELECTRICAL DATA  
 FREQUENCY RANGE: DC~6GHz  
 IMPEDANCE : 50Ω  
 VSWR : 1.3 MAX.  
 WORKING VOLTAGE : AC 170V  
 WITHSTANDING VOLTAGE : AC 500V  
 INSULATION RESISTANCE : 1000 MΩ MIN

06	COVER	BRASS	GOLD	1
05	INSULATOR COVER	PET	NONE	1
04	CENTER PIN	BRASS	GOLD	1
03	C RING	Be.Cu	GOLD	1
02	INSULATOR	TEFLON	NONE	1
01	BODY	BRASS	GOLD	1
NO	DESCRIPTION	MATERIAL	FINISH	Q'TY

TITLE		DRAWN BY:		DATE
MMCX(M)ra. solder for .085 cable		Lottie	2023/11/16	
DWG NO.		CHK'D BY:		DATE
C05BA3F085004		Kana	2023/11/16	
CUST.		GENERAL TOLERANCES		REVISION
P/N: N/A		.X ±0.2		REV.
DWG NO: N/A		.XX ±0.2		3.20
		.XXX ±0.2		
SHEET 1 of 1		Unit: mm	DA2311150029	