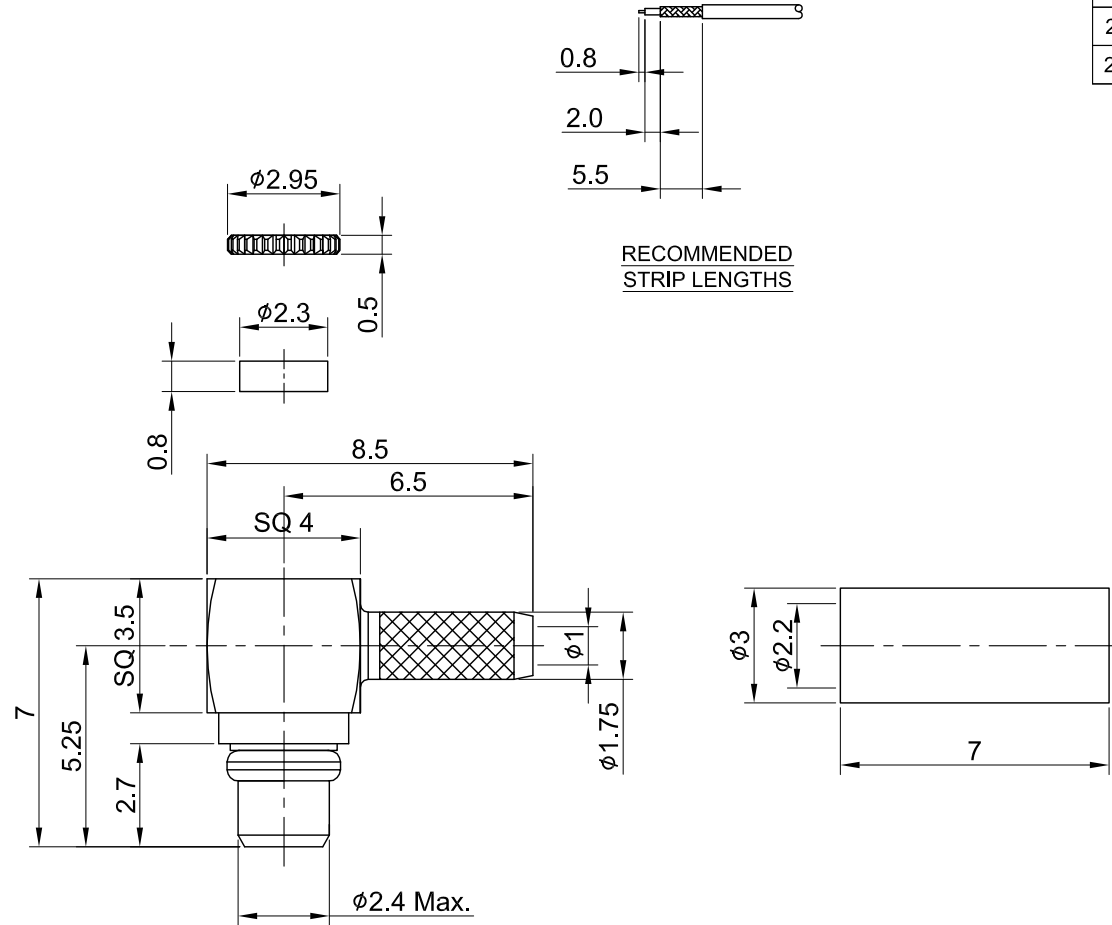


REV	DESCRIPTION	DATE
2.30	NEW DRAWING FRAME	2023/06/15
2.31	CORRECT TEMPERATURE RANGE	2023/07/03
2.40	CORRECT INSULATION RESISTANCE	2023/11/16




MECHANICAL DATA
TEMPERATURE RANGE : -40°C ~ + 85°C

DIELECTRICAL DATA
FREQUENCY RANGE: DC~6GHZ
IMPEDANCE : 50Ω
VSWR : 1.3 MAX.
WORKING VOLTAGE : AC 170V
WITHSTANDING VOLTAGE : AC 500V
INSULATION RESISTANCE : 1000 MΩ MIN

07	FERRULE	BRASS	GOLD	1
06	CENTER CONTACT	BRASS	GOLD	1
05	C-RING	Be.Cu	GOLD	1
04	INSULATOR	TEFLON	NONE	1
03	BODY	BRASS	GOLD	1
02	INSULATOR COVER	POM	NONE	1
01	COVER	BRASS	GOLD	1
NO	DESCRIPTION	MATERIAL	FINISH	Q'TY

TITLE		DRAWN BY:		DATE
MMCX(M) R/A crimp type for 1.37/RG178		Lottie		2023/11/16
DWG NO. C05BA3F178001		CHK'D BY:		DATE
CUST. P/N: N/A DWG NO: N/A		Kana		2023/11/16
SHEET 1 of 1		Unit: mm		REV. 2.40



GENERAL TOLERANCES
.X ±0.2
.XX ±0.2
.XXX ±0.2
ANGLES N/A

DRAWN BY: Lottie 2023/11/16
CHK'D BY: Kana 2023/11/16
DA2311160006