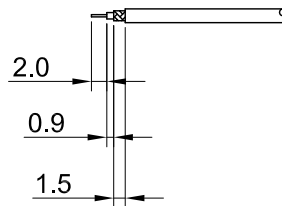
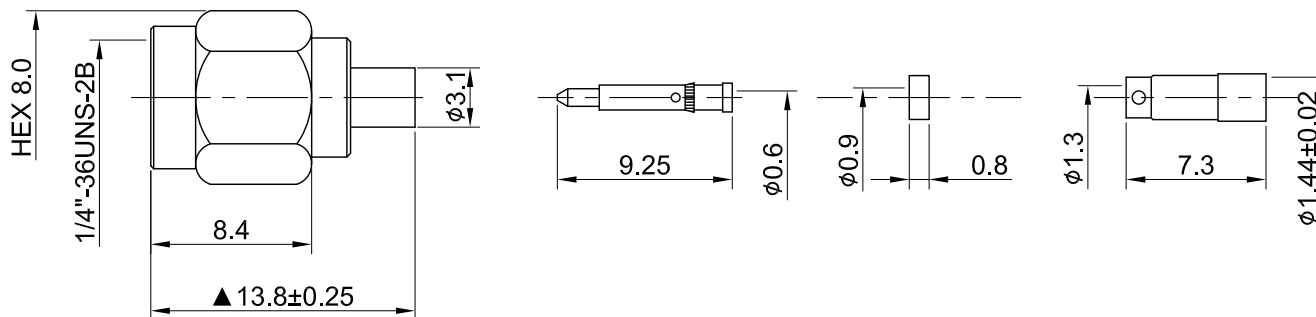


REV	DESCRIPTION	DATE
2.30	INITIAL DESIGN	2023/06/21
2.40	CORRECT INSULATION RESISTANCE, ADD TOLERANCE	2023/12/18



RECOMMENDED STRIP LENGTHS



MECHANICAL DATA
TEMPERATURE RANGE : -65°C ~ + 165°C

ELECTRICAL DATA
FREQUENCY RANGE: DC~6GHz
IMPEDANCE : 50Ω
VSWR : 1.3 MAX.
WORKING VOLTAGE : AC 170V
WITHSTANDING VOLTAGE : AC 500V
INSULATION RESISTANCE : 5000 MΩ MIN

07	INSULATOR B	TEFLON	NONE	1
06	SLEEVE	BRASS	NICKEL	1
05	INNER RETAINING RING	Be.Cu	NONE	1
04	GASKET	SILICONE RUBBER	RED	1
03	INSULATOR A	TEFLON	NONE	1
02	PIN	BRASS	GOLD	1
01	BODY	BRASS	GOLD	1
NO	DESCRIPTION	MATERIAL	FINISH	Q'TY

TITLE		DRAWN BY:		DATE
SMA(M) st FOR 1.37		Lottie		2023/12/18
DWG NO. C01AA31137004		CHK'D BY:		Una
CUST. P/N: N/A DWG NO: N/A		DRAWN BY:		Lottie
SHEET 1 of 1		DATE		2023/12/18
Unit: mm		REV.		2.40

GENERAL TOLERANCES

.X ±0.2

.XX ±0.2

.XXX ±0.2

ANGLES N/A