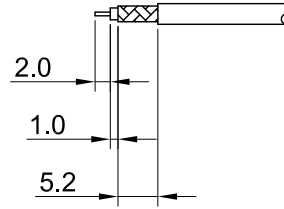
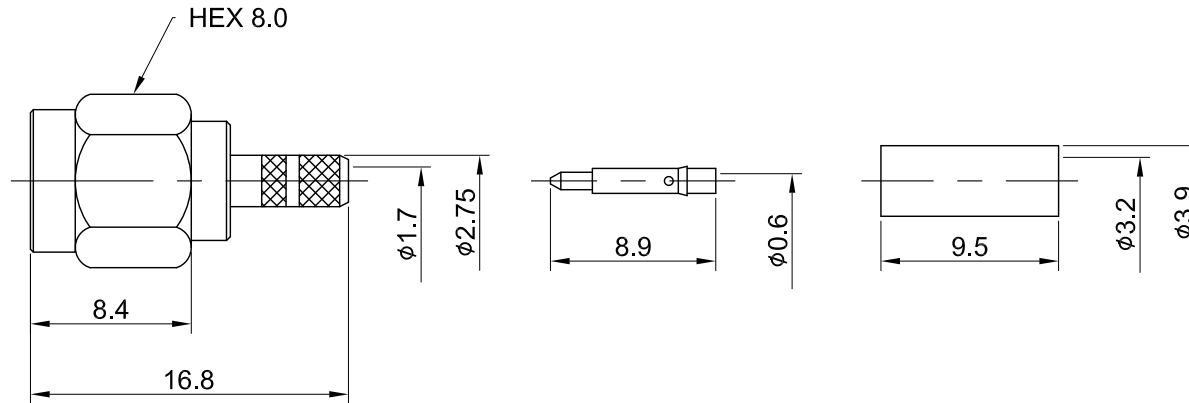


REV	DESCRIPTION	DATE
2.22	ADD GENERAL TOLERANCE	2022/11/18
2.30	NEW DRAWING FRAME	2023/11/02
2.40	CHG 5.2 W. 6.4	2023/11/02
2.41	UPDATE TITLE	2024/08/14



RECOMMENDED STRIP LENGTHS



MECHANICAL DATA
TEMPERATURE RANGE : -65°C ~ + 165°C

DIELECTRICAL DATA
FREQUENCY RANGE: DC~6GHz
IMPEDANCE : 50Ω
VSWR : 1.3 MAX.
WORKING VOLTAGE : AC 375V
WITHSTANDING VOLTAGE : AC 750V
INSULATION RESISTANCE : 5000 MΩ MIN

06	FERRULE	BRASS	GOLD	1
05	INNER RETAINING RING	Be.Cu	NONE	1
04	GASKET	SILICONE RUBBER	NONE	1
03	PIN	BRASS	GOLD	1
02	INSULATOR	TEFLON	NONE	1
01	BODY	BRASS	GOLD	1
NO	DESCRIPTION	MATERIAL	FINISH	Q'TY

TITLE			
SMA(M) st. crimp for RG174, RG316			
DWG NO.		C01AA31174004A	
CUST. P/N:		N/A	
DWG NO:		N/A	
SHEET 1 of 1		Unit: mm	
GENERAL TOLERANCES		DRAWN BY: Kelly 2024/08/14	
.X ±0.2		CHK'D BY: Maria 2024/08/14	
.XX ±0.2			
.XXX ±0.2			
ANGLES N/A		REV. 2.41	
DA2408130022			

