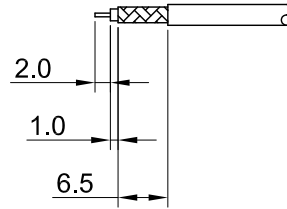
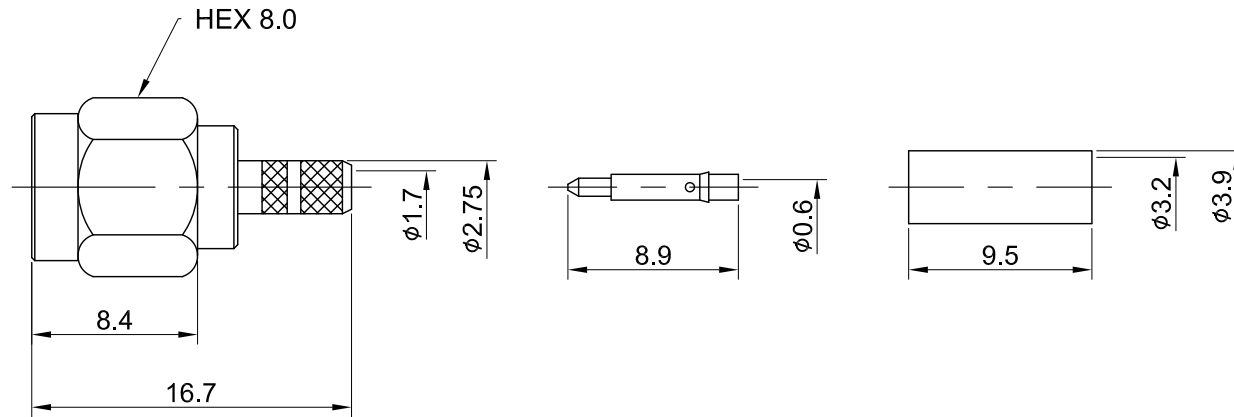


REV	DESCRIPTION	DATE
1.00	INITIAL DESIGN	2023/07/27



RECOMMENDED STRIP LENGTHS



MECHANICAL DATA
TEMPERATURE RANGE : -65°C ~ + 165°C

ELECTRICAL DATA
FREQUENCY RANGE: DC~6GHz
IMPEDANCE : 50Ω
VSWR : 1.3 MAX.
WORKING VOLTAGE : AC 375V
WITHSTANDING VOLTAGE : AC 750V
INSULATION RESISTANCE : 5000 MΩ MIN

07	BODY	BRASS	GOLD	1
06	FERRULE	BRASS	GOLD	1
05	INNER RETAINING RING	Be.Cu	NONE	1
04	GASKET	SILICONE RUBBER	NONE	1
03	INSULATOR	TEFLON	NONE	1
02	PIN	BRASS	GOLD	1
01	SHELL	SUS303	PASSIVATED	1
NO	DESCRIPTION	MATERIAL	FINISH	Q'TY

TITLE															
SMA(M) st. for RG174/RG316, SUS Shell															
DWG NO. C01AA31174004A-ST															
CUST. P/N: N/A DWG NO: N/A															
SHEET 1 of 1	Unit: mm	<table border="1"> <tr> <td>GENERAL TOLERANCES</td> <td>DRAWN BY: Kelly</td> <td>2024/12/09</td> </tr> <tr> <td>.X ±0.2</td> <td>CHK'D BY: Eileen</td> <td>2024/12/09</td> </tr> <tr> <td>.XX ±0.2</td> <td colspan="2" rowspan="2"> </td> </tr> <tr> <td>.XXX ±0.2</td> </tr> <tr> <td>ANGLES N/A</td> <td>DA2412090005</td> <td>REV. 1.00</td> </tr> </table>	GENERAL TOLERANCES	DRAWN BY: Kelly	2024/12/09	.X ±0.2	CHK'D BY: Eileen	2024/12/09	.XX ±0.2			.XXX ±0.2	ANGLES N/A	DA2412090005	REV. 1.00
GENERAL TOLERANCES	DRAWN BY: Kelly	2024/12/09													
.X ±0.2	CHK'D BY: Eileen	2024/12/09													
.XX ±0.2															
.XXX ±0.2															
ANGLES N/A	DA2412090005	REV. 1.00													