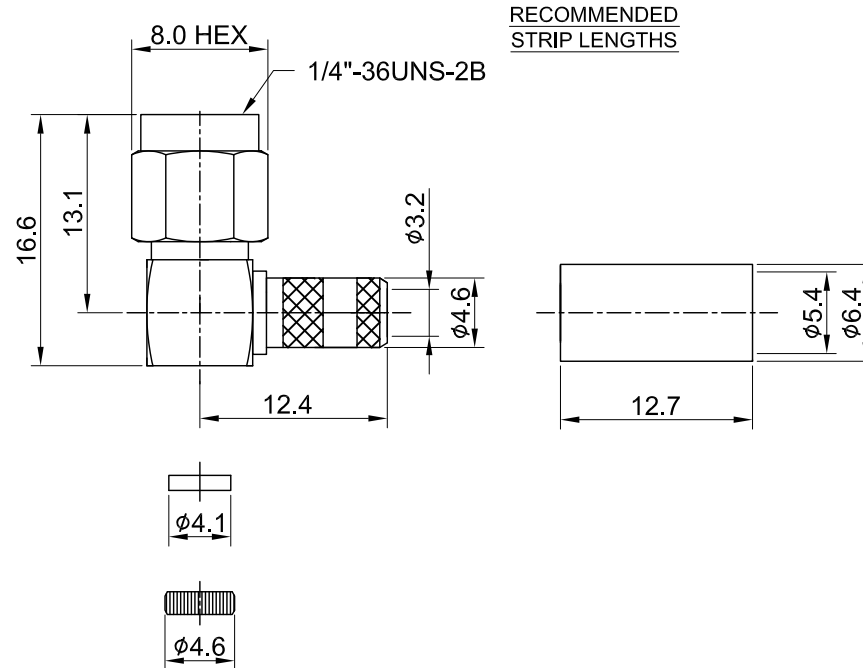
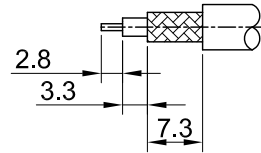


REV	DESCRIPTION	DATE
1.30	NEW DRAWING FRAME	2023/07/13
1.31	CORRECT INSULATION RESISTANCE UNIT	2023/12/14



MECHANICAL DATA
TEMPERATURE RANGE : -65°C ~ + 165°C

ELECTRICAL DATA
FREQUENCY RANGE: DC~6GHZ
IMPEDANCE : 50Ω
VSWR : 1.5 MAX.
WORKING VOLTAGE : AC 500V
WITHSTANDING VOLTAGE : AC 1000V
INSULATION RESISTANCE : 5000 M.Ω MIN

09	INSULATOR B	TEFLON	NONE	1	TITLE SMA(M) R/A for RG58			
08	CAP	BRASS	GOLD	1				
07	FERRULE	BRASS	GOLD	1				
06	GASKET	SILICONE RUBBER	NONE	1				
05	INNER RETAINING RING	Be.Cu	NONE	1				
04	SHELL	BRASS	GOLD	1				
03	INSULATOR A	TEFLON	NONE	1	DWG NO. C01BA31058A08A			
02	PIN	BRASS	GOLD	1	CUST. P/N: N/A DWG NO: N/A		GENERAL TOLERANCES	DRAWN BY: Kelly 2023/12/14
01	BODY	BRASS	GOLD	1	SHEET 1 of 1 Unit: mm		.X ±0.2 .XX ±0.2 .XXX ±0.2 ANGLES N/A	CHK'D BY: David 2023/12/14
NO	DESCRIPTION	MATERIAL	FINISH	Q'TY				
							DA2312130018	1.31