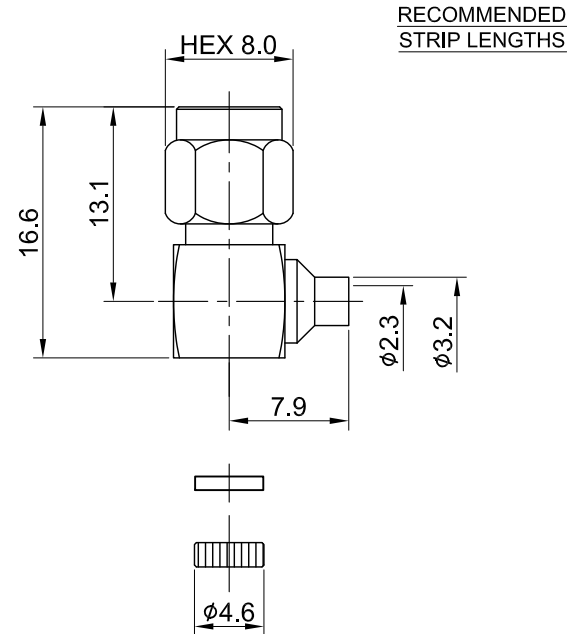
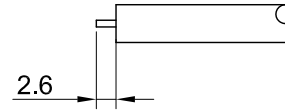


REV	DESCRIPTION	DATE
1.20	NEW DRAWING FRAME	2023/07/26
1.21	CORRECT INSULATION RESISTANCE UNIT	2023/12/14



MECHANICAL DATA
TEMPERATURE RANGE : -65°C ~ + 165°C

ELECTRICAL DATA
FREQUENCY RANGE: DC~6GHz
IMPEDANCE : 50Ω
VSWR : 1.5 MAX.
WORKING VOLTAGE : AC 375V
WITHSTANDING VOLTAGE : AC 750V
INSULATION RESISTANCE : 5000 M.Ω MIN

08	INSULATOR B	TEFLON	NONE	1	TITLE SMA R/A plug solder type for .085																				
07	CAP	BRASS	GOLD	1																					
06	GASKET	SILICONE RUBBER	NONE	1																					
05	INNER RETAINING RING	Be.Cu	NONE	1	DWG NO. C01BA31085008B																				
04	SHELL	BRASS	GOLD	1	CUST. P/N: N/A DWG NO: N/A																				
03	INSULATOR A	TEFLON	NONE	1																					
02	PIN	BRASS	GOLD	1																					
01	BODY	BRASS	GOLD	1																					
NO	DESCRIPTION	MATERIAL	FINISH	Q'TY	SHEET 1 of 1	Unit: mm	<table border="1"> <thead> <tr> <th colspan="2">GENERAL TOLERANCES</th> <th colspan="2">DRAWN BY: Kelly 2023/12/14</th> </tr> </thead> <tbody> <tr> <td>.X</td> <td>±0.2</td> <td colspan="2">CHK'D BY: David 2023/12/14</td> </tr> <tr> <td>.XX</td> <td>±0.2</td> <td colspan="2" rowspan="2"> </td> </tr> <tr> <td>.XXX</td> <td>±0.2</td> </tr> <tr> <td>ANGLES</td> <td>N/A</td> <td>DA2312130026</td> <td>REV. 1.21</td> </tr> </tbody> </table>	GENERAL TOLERANCES		DRAWN BY: Kelly 2023/12/14		.X	±0.2	CHK'D BY: David 2023/12/14		.XX	±0.2			.XXX	±0.2	ANGLES	N/A	DA2312130026	REV. 1.21
GENERAL TOLERANCES		DRAWN BY: Kelly 2023/12/14																							
.X	±0.2	CHK'D BY: David 2023/12/14																							
.XX	±0.2																								
.XXX	±0.2																								
ANGLES	N/A	DA2312130026	REV. 1.21																						