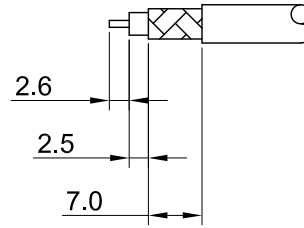
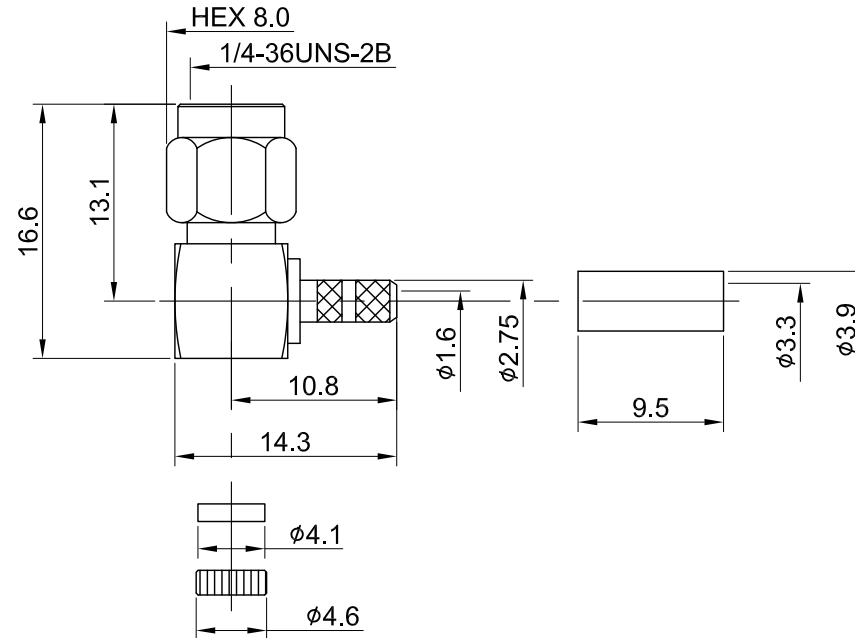


REV	DESCRIPTION	DATE
2.20	NEW DRAWING FRAME	2023/06/28
2.21	CORRECT INSULATION RESISTANCE UNIT	2023/11/28
2.22	REMOVE DURABILITY	2023/12/21




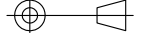
RECOMMENDED STRIP LENGTHS



MECHANICAL DATA  
TEMPERATURE RANGE : -65°C ~ + 165°C

ELECTRICAL DATA  
FREQUENCY RANGE: DC~6GHZ  
IMPEDANCE : 50Ω  
VSWR : 1.5 MAX.  
WORKING VOLTAGE : AC 375V  
WITHSTANDING VOLTAGE : AC 750V  
INSULATION RESISTANCE : 5000 MΩ MIN

09	INSULATOR B	TEFLON	NONE	1
08	CAP	BRASS	GOLD	1
07	FERRULE	BRASS	GOLD	1
06	GASKET	SILICONE RUBBER	NONE	1
05	INNER RETAINING RING	Be.Cu	NONE	1
04	SHELL	BRASS	GOLD	1
03	INSULATOR A	TEFLON	NONE	1
02	PIN	BRASS	GOLD	1
01	BODY	BRASS	GOLD	1
NO	DESCRIPTION	MATERIAL	FINISH	Q'TY

TITLE		DRAWN BY: Kelly		2023/12/21									
SMA(M) ra. crimp type for RG174 (press cap)		CHK'D BY: Eileen		2023/12/21									
DWG NO. C01BA31174008A				REV.									
CUST. P/N: N/A		<table border="1"> <tr> <td>GENERAL TOLERANCES</td> <td>ANGLES</td> </tr> <tr> <td>.X ±0.2</td> <td>N/A</td> </tr> <tr> <td>.XX ±0.2</td> <td></td> </tr> <tr> <td>.XXX ±0.2</td> <td></td> </tr> </table>		GENERAL TOLERANCES	ANGLES	.X ±0.2	N/A	.XX ±0.2		.XXX ±0.2			2.22
GENERAL TOLERANCES	ANGLES												
.X ±0.2	N/A												
.XX ±0.2													
.XXX ±0.2													
DWG NO: N/A	SHEET 1 of 1	Unit: mm	DA2312180025										