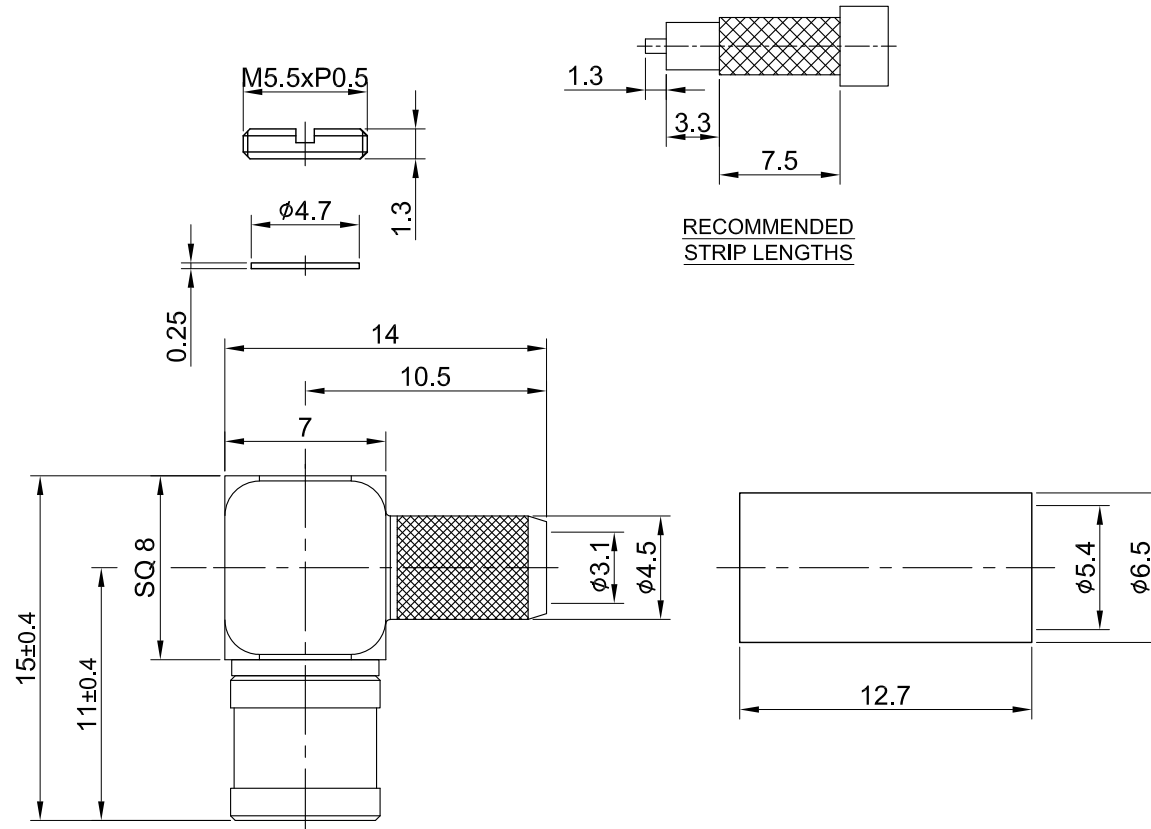


REV	DESCRIPTION	DATE
2.10	NEW DRAWING FRAME	2023/08/07
2.20	CORRECT INSULATION RESISTANCE	2023/11/06



MECHANICAL DATA
 DURABILITY : 500 CYCLES
 TEMPERATURE RANGE : -40°C ~ + 85°C

ELECTRICAL DATA
 FREQUENCY RANGE: DC~4GHz
 IMPEDANCE : 50Ω
 VSWR : 1.5 MAX.
 WORKING VOLTAGE : AC 335V
 WITHSTANDING VOLTAGE : AC 750V
 INSULATION RESISTANCE : 1000 MΩ MIN

09	FERRULE	BRASS	GOLD	1
08	COVER	BRASS	GOLD	1
07	INSULATOR B	PET	NONE	1
06	BODY B	BRASS	GOLD	1
05	PIN	Be.Cu	GOLD	1
04	INSULATOR A	TEFLON	NONE	1
03	BODY A	BRASS	GOLD	1
02	SHELL	BRASS	GOLD	1
01	RING	Be.Cu	GOLD	1
NO	DESCRIPTION	MATERIAL	FINISH	Q'TY

TITLE		SMB(M) ra. crimp type for RG58	
DWG NO.		C03BA3F058A01	
CUST. P/N: N/A		DRAWN BY: Lottie 2023/11/06	
DWG NO: N/A		CHK'D BY: Kana 2023/11/06	
SHEET 1 of 1		Unit: mm	
Unit: mm			
GENERAL TOLERANCES .X ±0.2 .XX ±0.2 .XXX ±0.2 ANGLES N/A		REV. 2.20	
C03BA3F058A01		C03BA3F058A01	