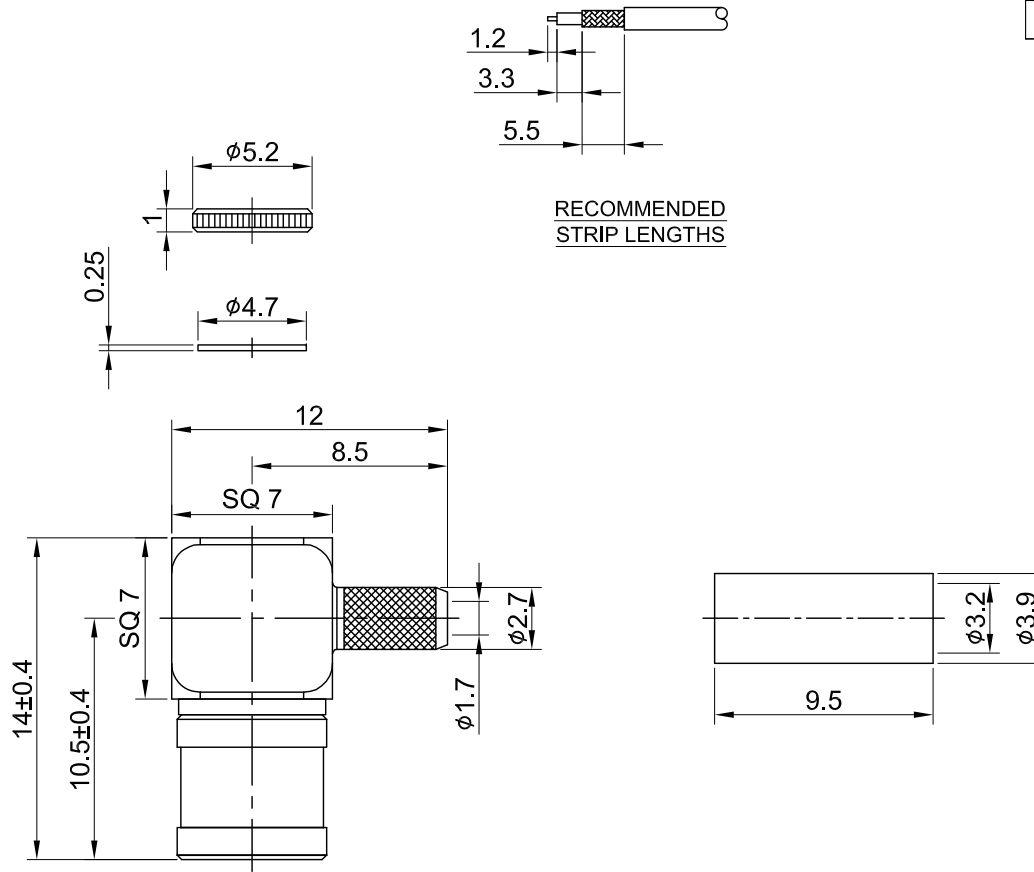


REV	DESCRIPTION	DATE
1.40	CHG PRESS WASHER W. COVER	2023/06/08
1.41	CORRECT $\phi 1.7/ 1.2$ W. $\phi 1.63/ 1.3$	2023/08/07
1.50	CORRECT INSULATION RESISTANCE & WITHSTANDING	2023/11/09



MECHANICAL DATA
 DURABILITY : 500 CYCLES
 TEMPERATURE RANGE : -40°C ~ + 85°C

DIELECTRICAL DATA
 FREQUENCY RANGE: DC~4GHz
 IMPEDANCE : 50Ω
 VSWR : 1.5 MAX.
 WORKING VOLTAGE : AC 335V
 WITHSTANDING VOLTAGE : AC 750V
 INSULATION RESISTANCE : 1000 MΩ MIN

09	FERRULE	BRASS	NICKEL	1	TITLE SMB(M) ra. crimp for RG174(Nickel) DWG NO. C03DA3F174001 CUST. P/N: N/A DWG NO: N/A SHEET 1 of 1 Unit: mm		GENERAL TOLERANCES .X ±0.2 .XX ±0.2 .XXX ±0.2 ANGLES N/A	DRAWN BY: Lottie	2023/11/09	
08	PRESS WASHER	BRASS	NICKEL	1				CHK'D BY: Dora	2023/11/09	
07	INSULATOR COVER	PET	NONE	1					REV. 1.50	
06	PIN	Be.Cu	GOLD	1						
05	BODY B	BRASS	NICKEL	1						
04	INSULATOR	TEFLON	NONE	1						
03	BODY A	BRASS	NICKEL	1						
02	SHELL	BRASS	NICKEL	1						
01	C RING	Be.Cu	NICKEL	1						
NO	DESCRIPTION	MATERIAL	FINISH	Q'TY						