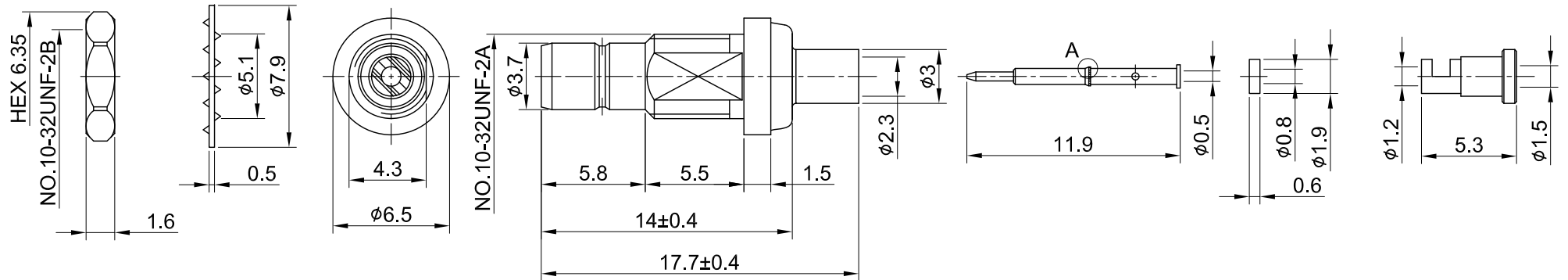
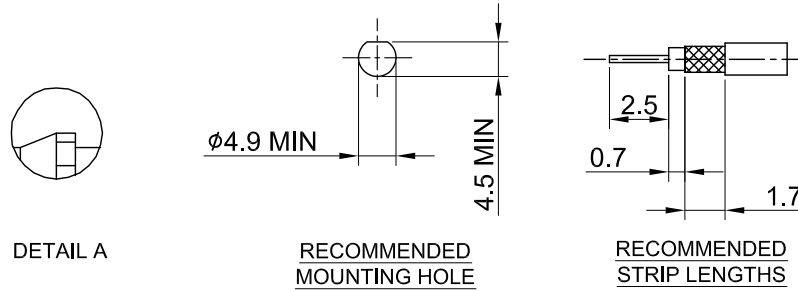


REV	DESCRIPTION	DATE
1.30	NEW DRAWING FRAME	2023/08/02
1.31	CORRECT INSULATION RESISTANCE	2023/10/31



MECHANICAL DATA  
TEMPERATURE RANGE : -65°C ~ + 165°C

ELECTRICAL DATA  
FREQUENCY RANGE: DC~4GHz  
IMPEDANCE : 50Ω  
VSWR : 1.3 MAX.  
WORKING VOLTAGE : AC 335V  
WITHSTANDING VOLTAGE : AC 750V  
INSULATION RESISTANCE : 1000 MΩ MIN

08	NUT	BRASS	GOLD	1	TITLE SMB(F) bh. for 1.32 cable
07	LOCK WASHER	BRASS	GOLD	1	
06	FERRULE	BRASS	GOLD	1	
05	INSULATOR GASKET	TEFLON	NONE	1	DWG NO. C04AB3F132006E
04	CENTER PIN	BRASS	GOLD	1	CUST. P/N: N/A DWG NO: N/A
03	BODY B	BRASS	GOLD	1	
02	INSULATOR	TEFLON	NONE	1	
01	BODY A	BRASS	GOLD	1	SHEET 1 of 1 Unit: mm
NO	DESCRIPTION	MATERIAL	FINISH	Q'TY	

GENERAL TOLERANCES

.X	±0.2
.XX	±0.2
.XXX	±0.2
ANGLES	N/A

DRAWN BY: Lottie 2023/10/31  
CHK'D BY: Dora 2023/10/31

REV. 1.31

DA2310300018