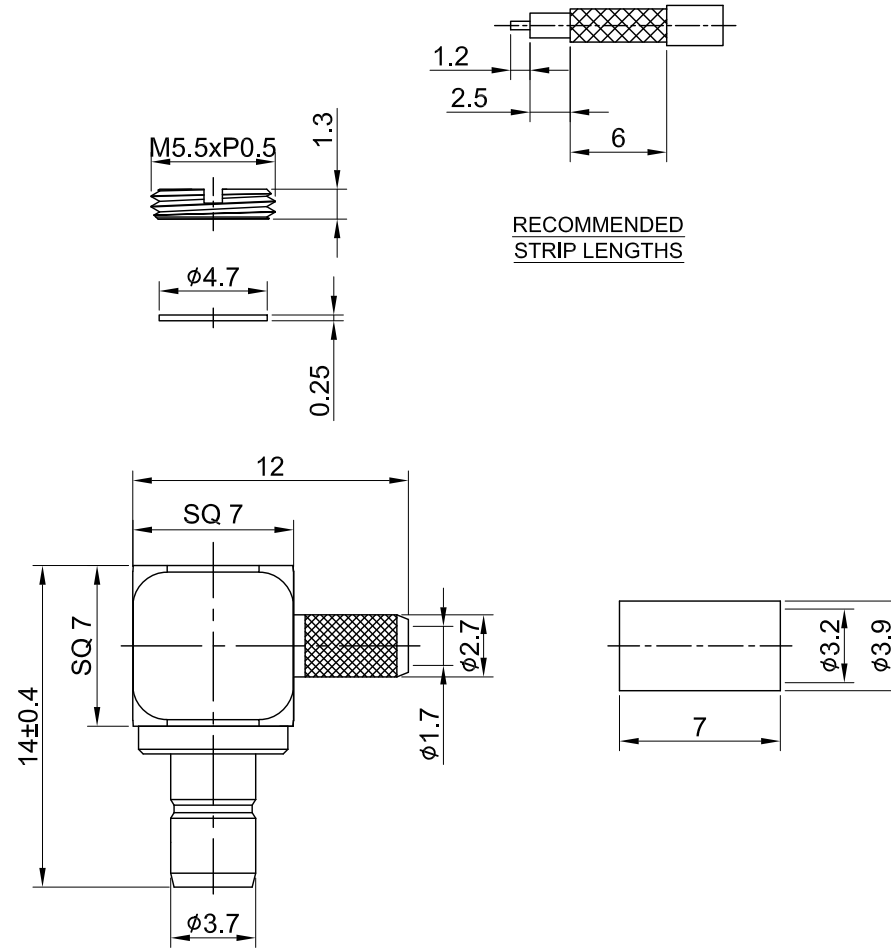


REV	DESCRIPTION	DATE
2.10	NEW DRAWING FRAME	2023/08/04
2.20	CORRECT INSULATION RESISTANCE	2023/11/09



MECHANICAL DATA  
TEMPERATURE RANGE : -40°C ~ + 85°C

ELECTRICAL DATA  
FREQUENCY RANGE: DC~4GHz  
IMPEDANCE : 50Ω  
VSWR : 1.5 MAX.  
WORKING VOLTAGE : AC 335V  
WITHSTANDING VOLTAGE : AC 750V  
INSULATION RESISTANCE : 1000 MΩ MIN

07	FERRULE	BRASS	GOLD	1
06	INSULATOR B	TEFLON	NONE	1
05	BODY B	BRASS	GOLD	1
04	CENTER PIN	BRASS	GOLD	1
03	BODY A	BRASS	GOLD	1
02	INSULATOR A	PET	NONE	1
01	NUT	BRASS	GOLD	1
NO	DESCRIPTION	MATERIAL	FINISH	Q'TY

TITLE		DRAWN BY:		CHK'D BY:		REV.	
SMB(F)ra. crimp type for RG174/ RG316		Lottie	2023/11/09	Kana	2023/11/09	2.20	
DWG NO. C04BA3F174011		GENERAL TOLERANCES		DRAWN BY:		CHK'D BY:	
CUST. P/N: N/A DWG NO: N/A		.X ±0.2 .XX ±0.2 .XXX ±0.2 ANGLES N/A		Lottie 2023/11/09		Kana 2023/11/09	
SHEET 1 of 1		Unit: mm		DA2311060027		REV. 2.20	