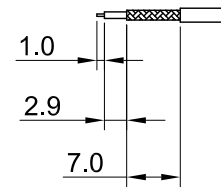
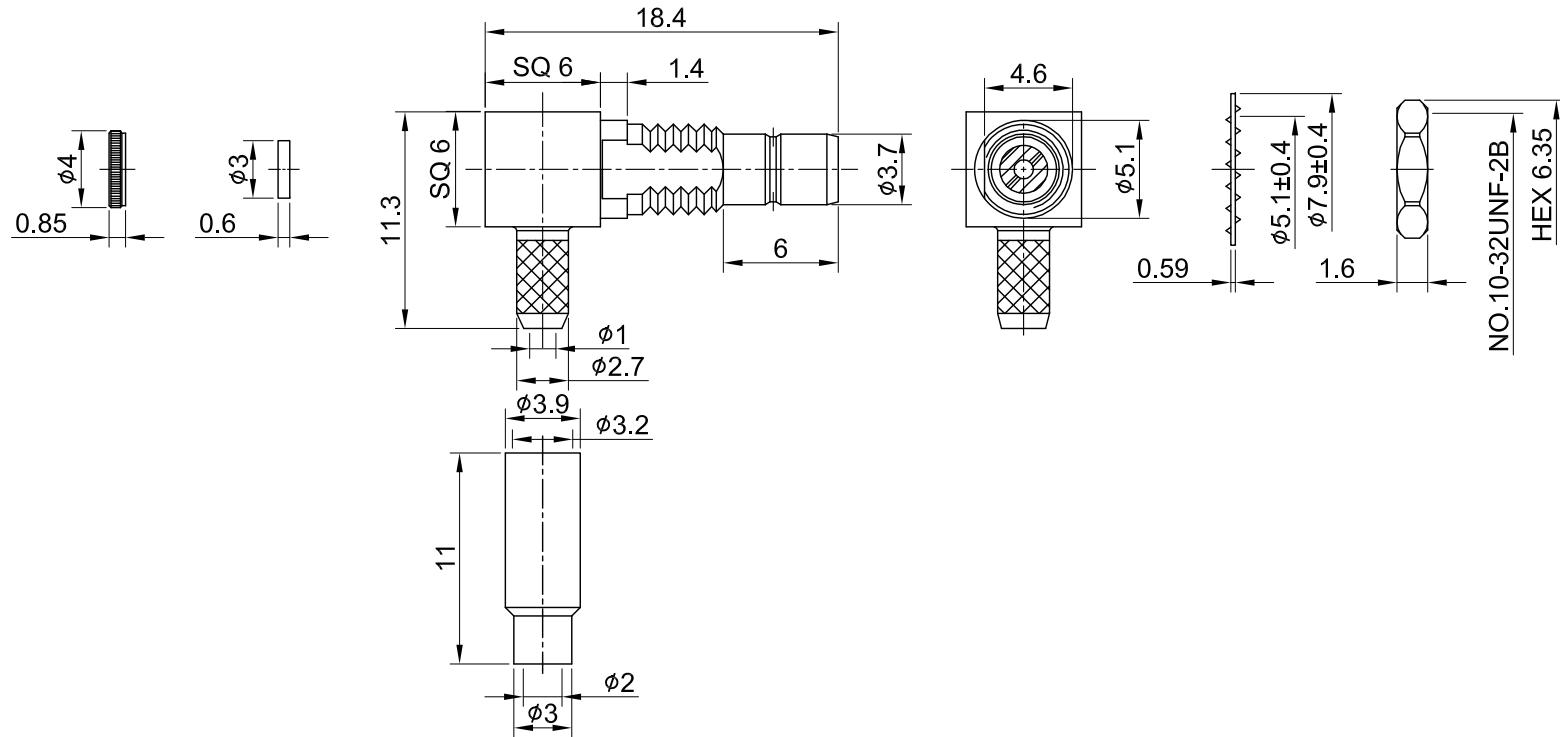


REV	DESCRIPTION	DATE
1.10	NEW DRAWING FRAME	2023/08/22
1.20	CORRECT INSULATION RESISTANCE	2023/11/15



RECOMMENDED
STRIP LENGTHS



MECHANICAL DATA
TEMPERATURE RANGE : -65°C ~ + 165°C

ELECTRICAL DATA
FREQUENCY RANGE: DC~4GHz
IMPEDANCE : 50Ω
VSWR : 1.5 MAX.
WORKING VOLTAGE : AC 335V
WITHSTANDING VOLTAGE : AC 750V
INSULATION RESISTANCE : 1000 MΩ MIN

08	NUT	BRASS	GOLD	1	TITLE SMB(F)ra.bh.crimp for RG178				
07	LOCK WASHER	BRASS	GOLD	1					
06	FERRULE	BRASS	GOLD	1					
05	CENTER PIN	P.BRONZE	GOLD	1	DWG NO. C04BB3F178025A		DRAWN BY: Lottie 2023/11/15		
04	INSULATOR	TEFLON	NONE	1	CUST. P/N: N/A DWG NO: N/A		CHK'D BY: Kana 2023/11/15		
03	BODY	BRASS	GOLD	1					REV.
02	INSULATOR COVER	TEFLON	NONE	1					DA2311090024
01	PRESS COVER	BRASS	GOLD	1	SHEET 1 of 1 Unit: mm				
NO	DESCRIPTION	MATERIAL	FINISH	Q'TY					