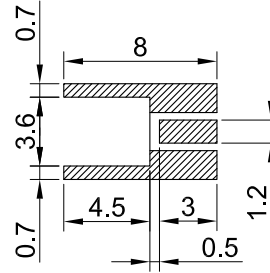
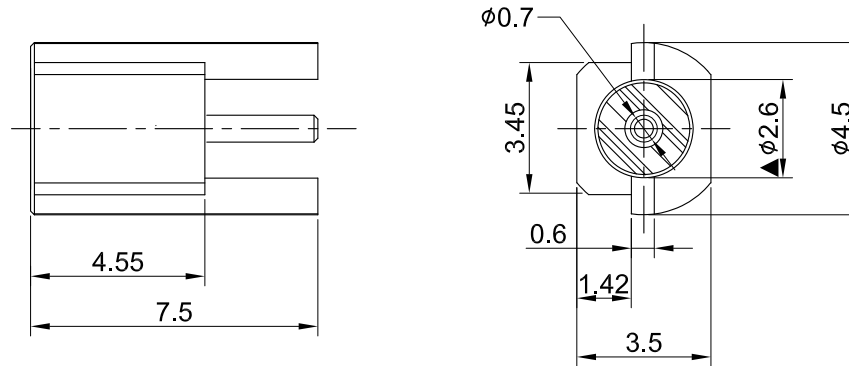


REV	DESCRIPTION	DATE
1.10	NEW DRAWING FRAME	2023/08/01
1.11	ADD DIMENSION $\phi 2.6$	2023/08/18
1.20	CORRECT INSULATION RESISTANCE	2023/11/21




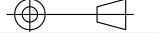
RECOMMENDED STRIP LENGTHS



MECHANICAL DATA
 DURABILITY : 500 CYCLES
 TEMPERATURE RANGE : -65°C ~ + 165°C

ELECTRICAL DATA
 FREQUENCY RANGE: DC~6GHZ
 IMPEDANCE : 50 Ω
 VSWR : 1.3 MAX.
 WORKING VOLTAGE : AC 170V
 WITHSTANDING VOLTAGE : AC 500V
 INSULATION RESISTANCE : 1000 M Ω MIN

03	CENTER PIN	Be.Cu	GOLD	1
02	INSULATOR	TEFLON	NONE	1
01	BODY	BRASS	GOLD	1
NO	DESCRIPTION	MATERIAL	FINISH	Q'TY

TITLE		DRAWN BY:		DATE	
MMCX(F)st.edge mount		Lottie		2023/11/21	
DWG NO. C06AN3F09		CHK'D BY:	Kana	2023/11/21	
CUST. P/N: N/A DWG NO: N/A				 REV.	
SHEET 1 of 1 Unit: mm		GENERAL TOLERANCES .X ± 0.2 .XX ± 0.2 .XXX ± 0.2 ANGLES N/A		DA2311160038 1.20	