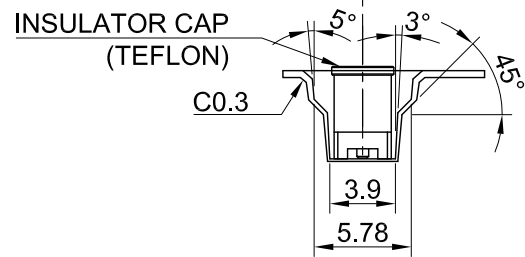
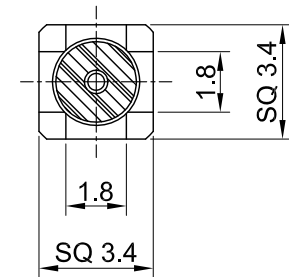
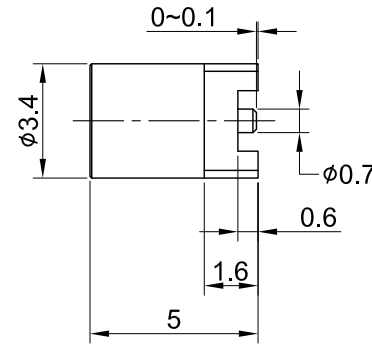
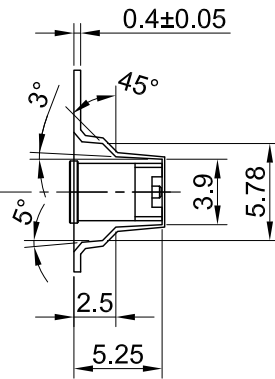
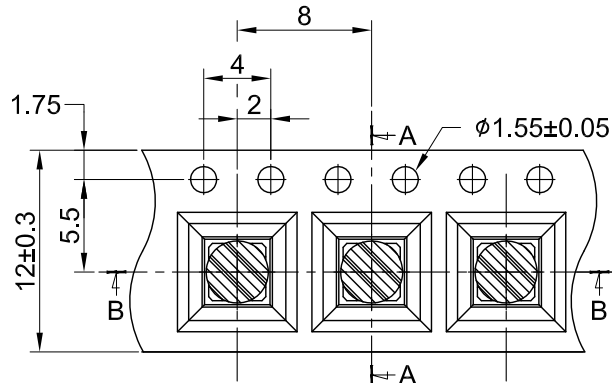
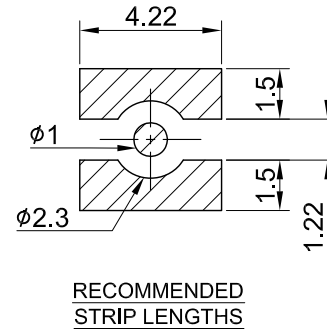
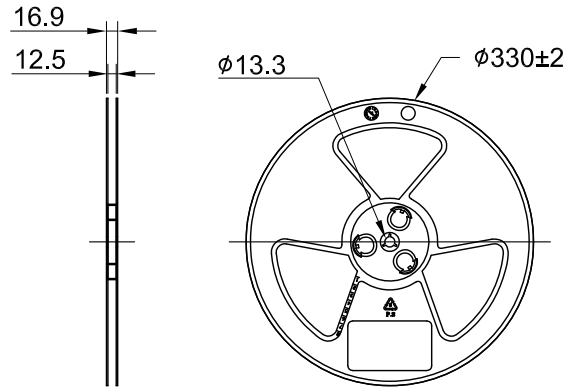


REV	DESCRIPTION	DATE
4.10	UPDATE DRAWING	2023/08/01
4.20	CORRECT INSULATION RESISTANCE	2023/11/21



TAPE DETAIL

MECHANICAL DATA  
 DURABILITY : 500 CYCLES  
 TEMPERATURE RANGE : -65°C ~ + 165°C

ELECTRICAL DATA  
 FREQUENCY RANGE: DC~6GHz  
 IMPEDANCE : 50Ω  
 VSWR : 1.3 MAX.  
 WORKING VOLTAGE : AC 170V  
 WITHSTANDING VOLTAGE : AC 500V  
 INSULATION RESISTANCE : 1000 MΩ MIN

03	CENTER PIN	Be.Cu	GOLD	1
02	INSULATOR	TEFLON	NONE	1
01	BODY	BRASS	GOLD	1
NO	DESCRIPTION	MATERIAL	FINISH	Q'TY

TITLE		DRAWN BY:		DATE	
MMCX st. jack SMT w/ cap tape and reel		Lottie		2023/11/21	
DWG NO.		CHK'D BY:		REV.	
C06AN3FP00711A		Kana		2023/11/21	
CUST. P/N: N/A		DA2311160041		4.20	
DWG NO: N/A					
SHEET 1 of 1					
Unit: mm					



GENERAL TOLERANCES  
 .X ±0.1  
 .XX ±0.1  
 .XXX ±0.1  
 ANGLES N/A