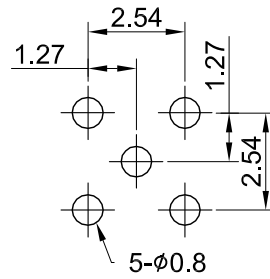
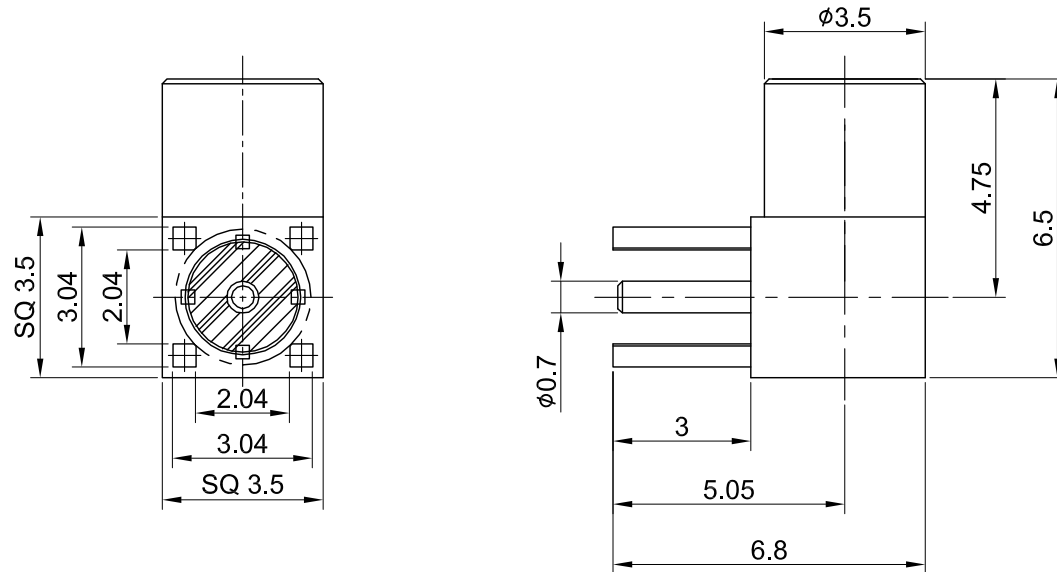


REV	DESCRIPTION	DATE
1.10	NEW DRAWING FRAME	2023/08/18
1.20	CORRECT INSULATION RESISTANCE	2023/11/15





P.C.B LAYOUT (REF)



MECHANICAL DATA
 DURABILITY : 500 CYCLES
 TEMPERATURE RANGE : -65°C ~ + 165°C

ELECTRICAL DATA
 FREQUENCY RANGE: DC~6GHz
 IMPEDANCE : 50 Ω
 VSWR : 1.5 MAX.
 WORKING VOLTAGE : AC 170V
 WITHSTANDING VOLTAGE : AC 500V
 INSULATION RESISTANCE : 1000 M Ω MIN

04	INSULATOR B	TEFLON	NONE	1
03	CENTER PIN	Be.Cu	GOLD	1
02	INSULATOR A	TEFLON	NONE	1
01	BODY	BRASS	GOLD	1
NO	DESCRIPTION	MATERIAL	FINISH	Q'TY

TITLE MMCX(F) ra. PCB type			
DWG NO. C06BN3FP00410			
CUST. P/N: N/A DWG NO: N/A		GENERAL TOLERANCES .X \pm 0.2 .XX \pm 0.2 .XXX \pm 0.2 ANGLES N/A	DRAWN BY: Lottie 2023/11/15 CHK'D BY: Dora 2023/11/15
SHEET 1 of 1	Unit: mm		REV. 1.20
		DA2311090013	