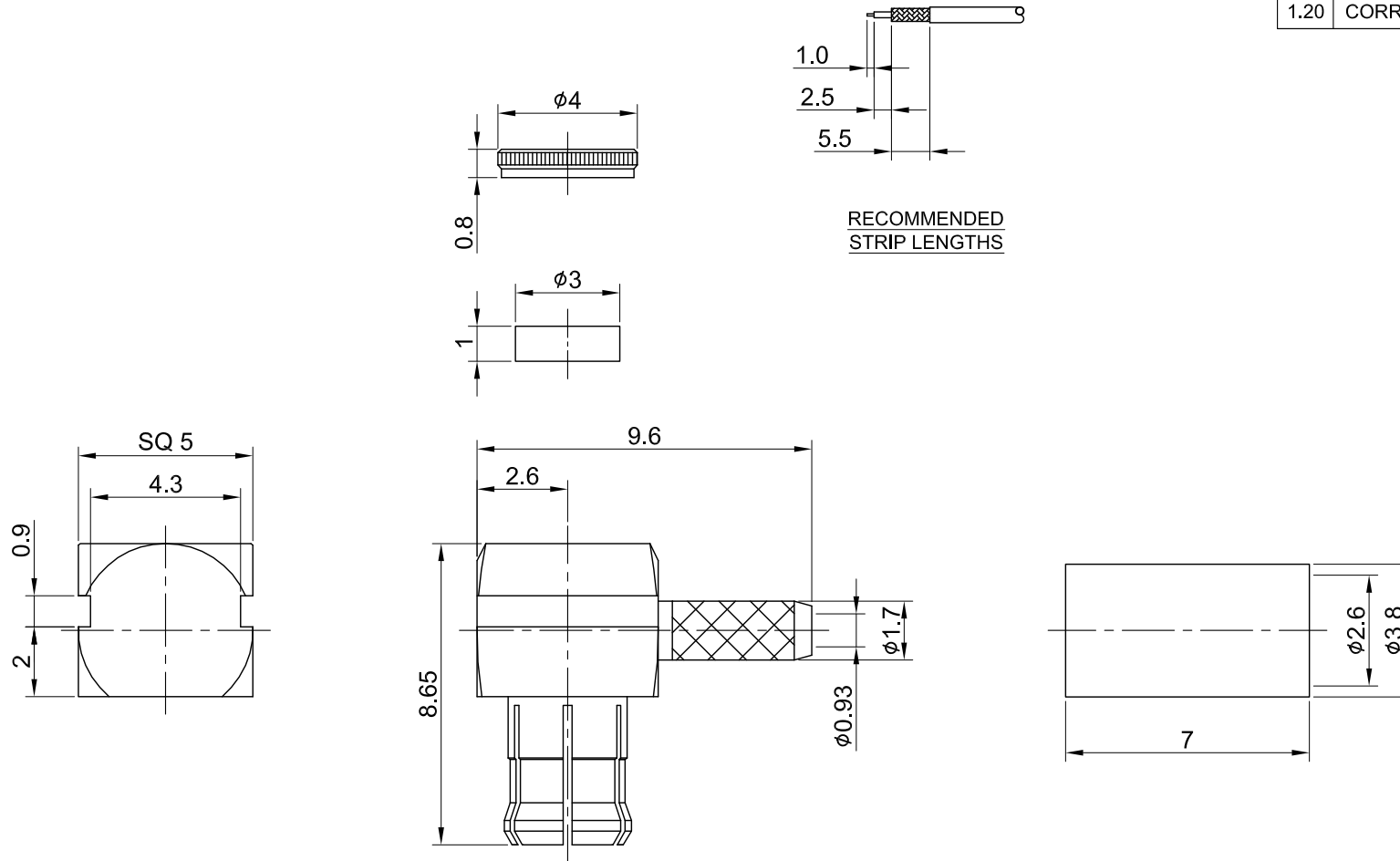


REV	DESCRIPTION	DATE
1.10	NEW DRAWING FRAME	2023/09/08
1.20	CORRECT INSULATION RESISTANCE	2023/11/15



MECHANICAL DATA
TEMPERATURE RANGE : -40°C ~ + 85°C

ELECTRICAL DATA
FREQUENCY RANGE: DC~6GHz
IMPEDANCE : 50Ω
VSWR : 1.5 MAX.
WORKING VOLTAGE : AC 335V
WITHSTANDING VOLTAGE : AC 500V
INSULATION RESISTANCE : 1000 MΩ MIN

NO	DESCRIPTION	MATERIAL	FINISH	Q'TY	TITLE															
07	FERRULE	BRASS	GOLD	1	MCX(M) ra. crimp type for RG178 double shield															
06	INSULATOR	TEFLON	NONE	1	DWG NO. C07BA3F178D01															
05	BODY B	Be.Cu	GOLD	1	CUST. P/N: N/A DWG NO: N/A															
04	CENTER PIN	BRASS	GOLD	1	<table border="1"> <tr> <td>GENERAL TOLERANCES</td> <td>DRAWN BY: Lottie</td> <td>2023/11/15</td> </tr> <tr> <td>.X ±0.2</td> <td>CHK'D BY: Dora</td> <td>2023/11/15</td> </tr> <tr> <td>.XX ±0.2</td> <td rowspan="2"> </td> <td>REV.</td> </tr> <tr> <td>.XXX ±0.2</td> <td>DA2311090017</td> <td>1.20</td> </tr> <tr> <td>ANGLES N/A</td> <td colspan="2"></td> </tr> </table>	GENERAL TOLERANCES	DRAWN BY: Lottie	2023/11/15	.X ±0.2	CHK'D BY: Dora	2023/11/15	.XX ±0.2		REV.	.XXX ±0.2	DA2311090017	1.20	ANGLES N/A		
GENERAL TOLERANCES	DRAWN BY: Lottie	2023/11/15																		
.X ±0.2	CHK'D BY: Dora	2023/11/15																		
.XX ±0.2		REV.																		
.XXX ±0.2		DA2311090017	1.20																	
ANGLES N/A																				
03	BODY A	BRASS	GOLD	1	SHEET 1 of 1 Unit: mm															
02	INSULATOR	POM	NONE	1																
01	PRESS WASHER	BRASS	GOLD	1																
NO	DESCRIPTION	MATERIAL	FINISH	Q'TY																

