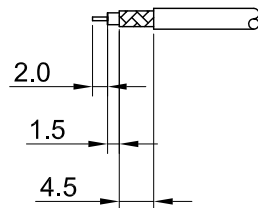
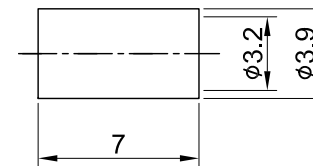
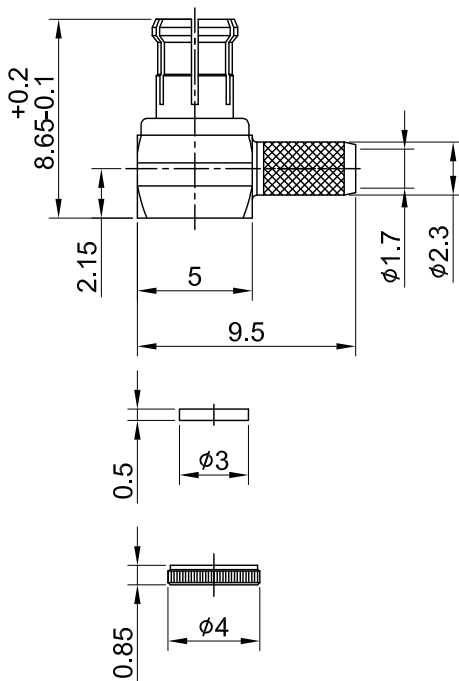
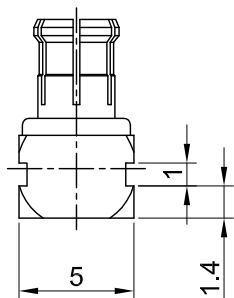


REV	DESCRIPTION	DATE
1.20	NEW DRAWING FRAME	2023/09/08
1.21	CORRECT INSULATION RESISTANCE	2024/04/12




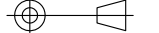
RECOMMENDED STRIP LENGTHS



MECHANICAL DATA  
TEMPERATURE RANGE : -40°C ~ + 85°C

ELECTRICAL DATA  
FREQUENCY RANGE: DC~6GHZ  
IMPEDANCE : 50Ω  
VSWR : 1.3 MAX.  
WORKING VOLTAGE : AC 335V  
WITHSTANDING VOLTAGE : AC 500V  
INSULATION RESISTANCE : 1000 MΩ MIN

07	FERRULE	BRASS	GOLD	1
06	INSULATOR	TEFLON	NONE	1
05	BODY B	Be.Cu	GOLD	1
04	CENTER PIN	BRASS	GOLD	1
03	BODY A	BRASS	GOLD	1
02	INSULATOR COVER	POM	NONE	1
01	PRESS COVER	BRASS	GOLD	1
NO	DESCRIPTION	MATERIAL	FINISH	Q'TY

TITLE		DRAWN BY:	
MCX(M) ra. crimp for RD316		Lottie	2024/04/12
DWG NO. C07BA31316D01-1		CHK'D BY:	Kelly 2024/04/12
CUST. P/N: N/A DWG NO: N/A			
SHEET 1 of 1 Unit: mm		GENERAL TOLERANCES	 REV. 1.21
		.X ±0.2 .XX ±0.2 .XXX ±0.2 ANGLES N/A	DA2401160025