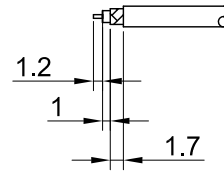
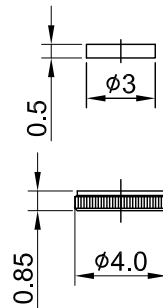
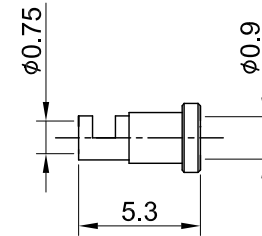
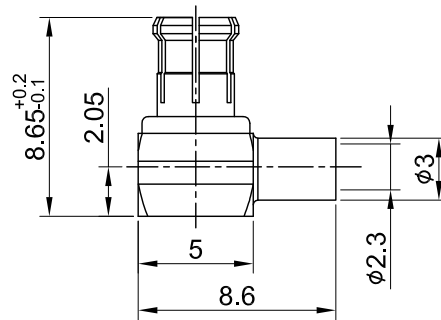
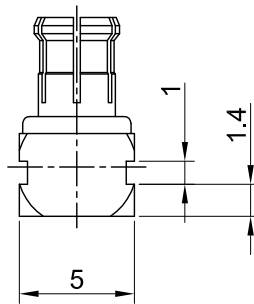


REV	DESCRIPTION	DATE
3.50	NEW DRAWING FRAME	2023/09/08
3.51	CORRECT INSULATION RESISTANCE UNIT	2024/01/04



RECOMMENDED STRIP LENGTHS



MECHANICAL DATA
TEMPERATURE RANGE : -40°C ~ + 85°C

ELECTRICAL DATA
FREQUENCY RANGE: DC~6GHz
IMPEDANCE : 50Ω
VSWR : 1.3 MAX.
WORKING VOLTAGE : AC 335V
WITHSTANDING VOLTAGE : AC 750V
INSULATION RESISTANCE : 1000 MΩ MIN

07	FERRULE	BRASS	GOLD	1
06	INSULATOR	TEFLON	NONE	1
05	BODY B	Be.Cu	GOLD	1
04	CENTER PIN	BRASS	GOLD	1
03	BODY A	BRASS	GOLD	1
02	INSULATOR COVER	POM	NONE	1
01	PRESS COVER	BRASS	GOLD	1
NO	DESCRIPTION	MATERIAL	FINISH	Q'TY

TITLE		DRAWN BY: Kelly		2024/01/04
MCX(M) ra. for 0.81mm cable		CHK'D BY: Chili		2024/01/04
DWG NO. C07BA31081001A-1		REV.		3.51
CUST. P/N: N/A DWG NO: N/A		GENERAL TOLERANCES		ANGLES N/A
SHEET 1 of 1		Unit: mm		DA2312270059

