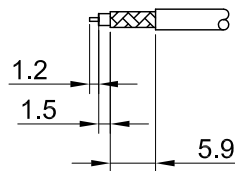
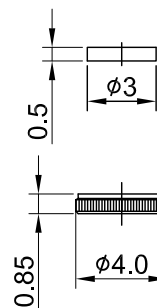
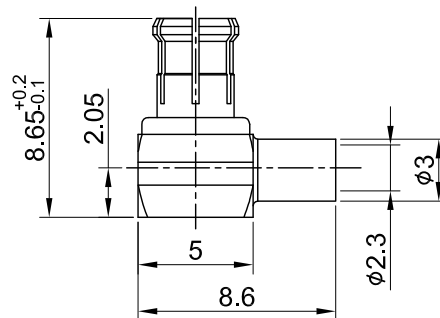
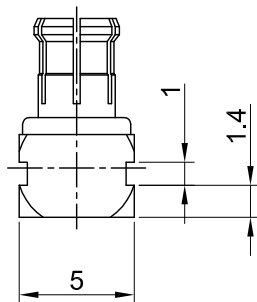


REV	DESCRIPTION	DATE
3.20	NEW DRAWING FRAME	2023/09/08
3.21	CORRECT INSULATION RESISTANCE UNIT	2024/01/16



RECOMMENDED  
STRIP LENGTHS



MECHANICAL DATA  
TEMPERATURE RANGE : -40°C ~ + 85°C

ELECTRICAL DATA  
FREQUENCY RANGE: DC~6GHz  
IMPEDANCE : 50Ω  
VSWR : 1.3 MAX.

WORKING VOLTAGE : AC 335V  
WITHSTANDING VOLTAGE : AC 500V  
INSULATION RESISTANCE : 1000 MΩ MIN

06	INSULATOR	TEFLON	NONE	1
05	BODY B	Be.Cu	GOLD	1
04	CENTER PIN	BRASS	GOLD	1
03	BODY A	BRASS	GOLD	1
02	INSULATOR COVER	POM	NONE	1
01	PRESS COVER	BRASS	GOLD	1
NO	DESCRIPTION	MATERIAL	FINISH	Q'TY

TITLE		DRAWN BY: Kelly		2024/01/16									
MCX R/A plug for RG405 (.085)		CHK'D BY: Chili		2024/01/16									
DWG NO. C07BA31085012		CUST. P/N: N/A											
DWG NO: N/A		<table border="1"> <tr> <td>GENERAL TOLERANCES</td> <td></td> </tr> <tr> <td>.X</td> <td>±0.2</td> </tr> <tr> <td>.XX</td> <td>±0.2</td> </tr> <tr> <td>.XXX</td> <td>±0.2</td> </tr> <tr> <td>ANGLES</td> <td>N/A</td> </tr> </table>			GENERAL TOLERANCES		.X	±0.2	.XX	±0.2	.XXX	±0.2	ANGLES
GENERAL TOLERANCES													
.X	±0.2												
.XX	±0.2												
.XXX	±0.2												
ANGLES	N/A												
SHEET 1 of 1		Unit: mm											
		DA2312270061		REV. 3.21									