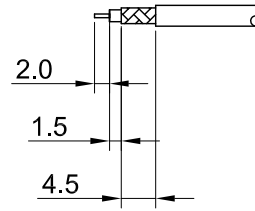
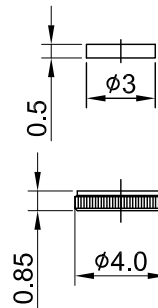
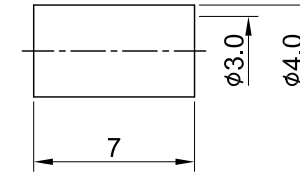
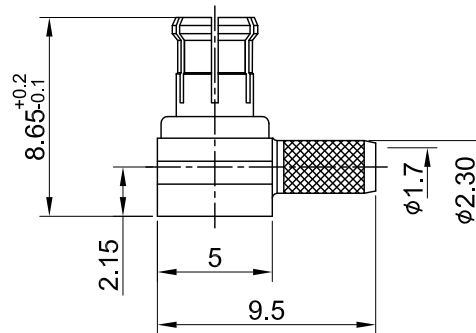
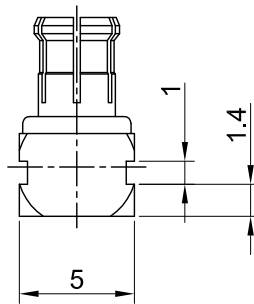


REV	DESCRIPTION	DATE
1.30	NEW DRAWING FRAME	2023/09/07




RECOMMENDED STRIP LENGTHS



MECHANICAL DATA
TEMPERATURE RANGE : -40°C ~ + 85°C

ELECTRICAL DATA
FREQUENCY RANGE: DC~6GHz
IMPEDANCE : 50Ω
VSWR : 1.3 MAX.
WORKING VOLTAGE : AC 335V
WITHSTANDING VOLTAGE : AC 500V
INSULATION RESISTANCE : 1000 MΩ MIN

07	FERRULE	BRASS	GOLD	1
06	INSULATOR	TEFLON	NONE	1
05	BODY B	Be.Cu	GOLD	1
04	CENTER PIN	BRASS	GOLD	1
03	BODY A	BRASS	GOLD	1
02	INSULATOR COVER	POM	NONE	1
01	PRESS COVER	BRASS	GOLD	1
NO	DESCRIPTION	MATERIAL	FINISH	Q'TY

TITLE		MCX(M) ra. crimp type for RG174	
DWG NO.		C07BA31174001-1	
CUST. P/N: N/A		DRAWN BY: Kelly 2023/09/07	
DWG NO: N/A		CHK'D BY: David 2023/09/07	
SHEET 1 of 1		Unit: mm	
GENERAL TOLERANCES			
.X ±0.2		DA2309070011	
.XX ±0.2		1.30	
.XXX ±0.2			
ANGLES N/A			