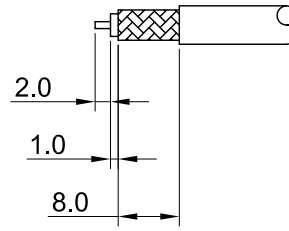
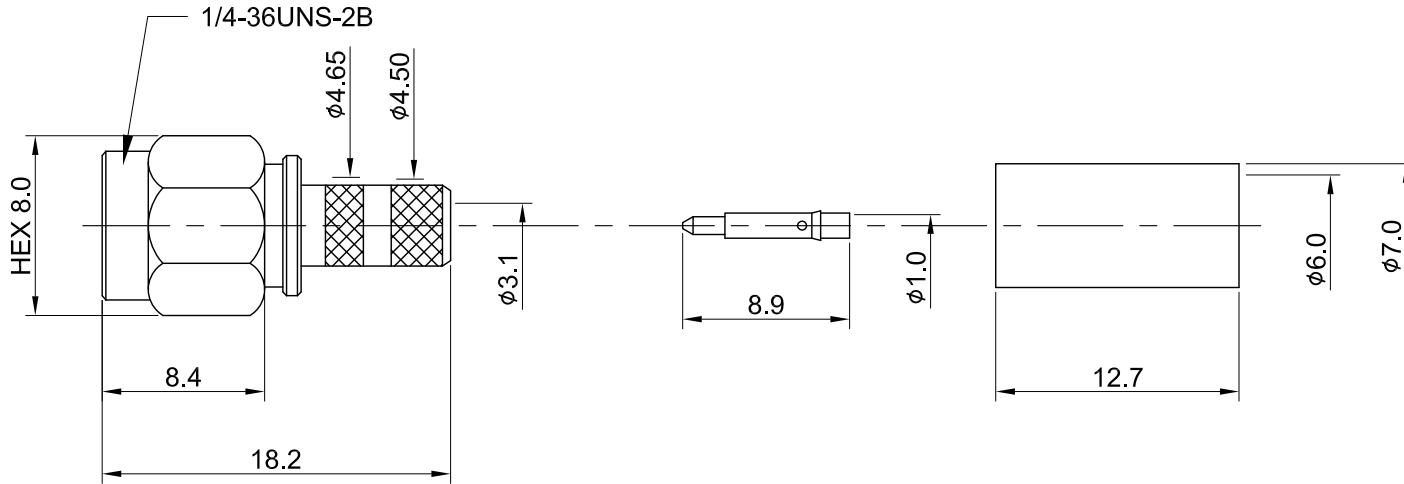


| REV  | DESCRIPTION                   | DATE       |
|------|-------------------------------|------------|
| 1.10 | NEW DRAWING FRAME             | 2023/07/26 |
| 1.11 | CORRECT INSULATION RESISTANCE | 2023/12/28 |



RECOMMENDED STRIP LENGTHS



MECHANICAL DATA  
TEMPERATURE RANGE : -65°C ~ + 165°C

ELECTRICAL DATA  
FREQUENCY RANGE: DC ~ 6GHz  
IMPEDANCE : 50Ω  
VSWR : 1.3 MAX.  
WORKING VOLTAGE : AC 500V  
WITHSTANDING VOLTAGE : AC 1000V  
INSULATION RESISTANCE : 5000 MΩ MIN

|    |                      |                 |        |      |
|----|----------------------|-----------------|--------|------|
| 06 | FERRULE              | BRASS           | NICKEL | 1    |
| 05 | INNER RETAINING RING | Be Cu           | NONE   | 1    |
| 04 | GASKET               | SILICONE RUBBER | NONE   | 1    |
| 03 | INSULATOR            | TEFLON          | NONE   | 1    |
| 02 | PIN                  | BRASS           | GOLD   | 1    |
| 01 | BODY                 | BRASS           | NICKEL | 1    |
| NO | DESCRIPTION          | MATERIAL        | FINISH | Q'TY |

| TITLE                                |  | DRAWN BY:                   |            | CHK'D BY:                |            | REVISION  |  |
|--------------------------------------|--|-----------------------------|------------|--------------------------|------------|-----------|--|
| SMA (M) st.,crimp type for RG223(Ni) |  | Lottie                      | 2023/12/28 | Una                      | 2023/12/28 | REV. 1.11 |  |
| DWG NO. C01CA31223004A               |  | DRAWN BY: Lottie 2023/12/28 |            | CHK'D BY: Una 2023/12/28 |            | REV. 1.11 |  |
| CUST. P/N: N/A<br>DWG NO: N/A        |  | DRAWN BY: Lottie 2023/12/28 |            | CHK'D BY: Una 2023/12/28 |            | REV. 1.11 |  |
| SHEET 1 of 1 Unit: mm                |  | DRAWN BY: Lottie 2023/12/28 |            | CHK'D BY: Una 2023/12/28 |            | REV. 1.11 |  |



| GENERAL TOLERANCES |      | DRAWN BY: |            | CHK'D BY: |            | REVISION  |  |
|--------------------|------|-----------|------------|-----------|------------|-----------|--|
| .X                 | ±0.2 | Lottie    | 2023/12/28 | Una       | 2023/12/28 | REV. 1.11 |  |
| .XX                | ±0.2 |           |            |           |            |           |  |
| .XXX               | ±0.2 |           |            |           |            |           |  |
| ANGLES             | N/A  |           |            |           |            |           |  |