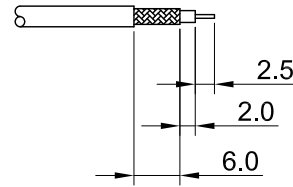
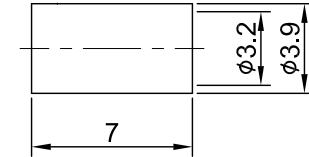
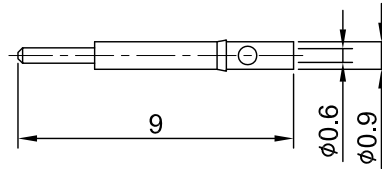
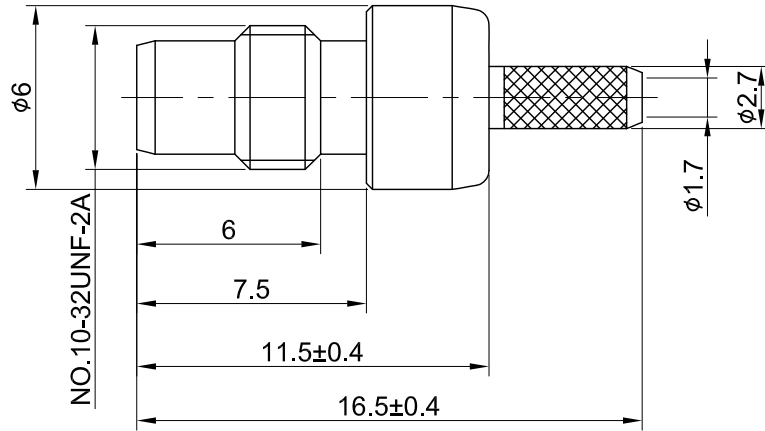


REV	DESCRIPTION	DATE
1.10	11.5/16.5 INCREASE TOLERANCE, CHG 2/6 W. 3/5, ADD DIMENSION 7.5	2020/08/05
1.20	NEW DRAWING FRAME	2024/08/27



RECOMMENDED STRIP LENGTHS



MECHANICAL DATA
TEMPERATURE RANGE : -65°C ~ + 165°C

ELECTRICAL DATA
FREQUENCY RANGE: DC~6GHZ
IMPEDANCE : 50Ω
VSWR : 1.5 MAX.
WORKING VOLTAGE : AC 335V
WITHSTANDING VOLTAGE : AC 750V
INSULATION RESISTANCE : 1000 MΩ MIN

05	FERRULE	BRASS	GOLD	1
04	CENTER PIN	BRASS	GOLD	1
03	BODY B	BRASS	GOLD	1
02	INSULATOR	TEFLON	NONE	1
01	BODY A	BRASS	GOLD	1
NO	DESCRIPTION	MATERIAL	FINISH	Q'TY

TITLE		SMC(F) st. crimp type for RG174/RG316	
DWG NO.		C14AA3F174008	
CUST. P/N:		N/A	
DWG NO:		N/A	
SHEET 1 of 1		Unit: mm	
GENERAL TOLERANCES		DRAWN BY: Kelly 2024/08/27	
.X ±0.2		CHK'D BY: Chilli 2024/08/27	
.XX ±0.2		REV.	
.XXX ±0.2		DA2408270002	
ANGLES N/A		1.20	

