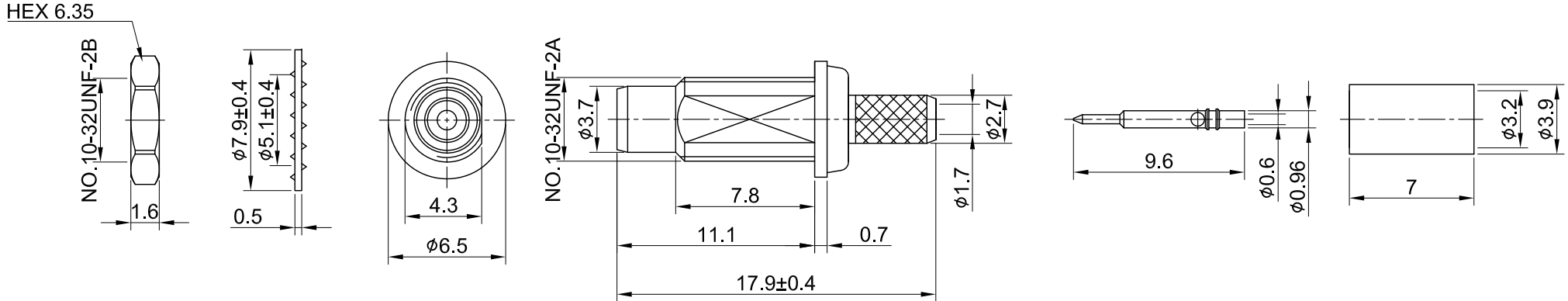
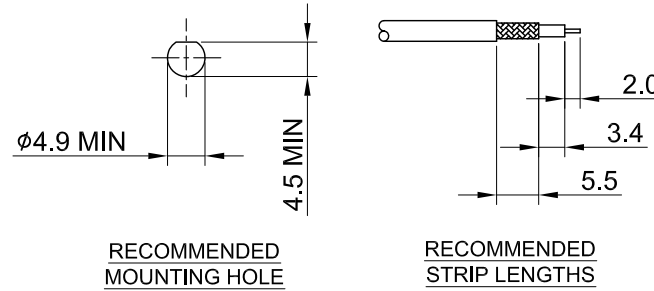


REV	DESCRIPTION	DATE
B	CHG PIN ITEM	2009/12/02
1.20	NEW DRAWING FRAME	2024/08/27



MECHANICAL DATA
TEMPERATURE RANGE : -65°C ~ + 165°C

ELECTRICAL DATA
FREQUENCY RANGE: DC~4GHz
IMPEDANCE : 50Ω
VSWR : 1.5 MAX.
WORKING VOLTAGE : AC 335V
WITHSTANDING VOLTAGE : AC 750V
INSULATION RESISTANCE : 1000 MΩ MIN

08	NUT	BRASS	GOLD	1	TITLE SMC(F) bh. crimp type for RG174					
07	WASHER	BRASS	GOLD	1						
06	FERRULE	BRASS	GOLD	1						
05	CENTER PIN	BRASS	GOLD	1	DWG NO. C14AB3F174006B		DRAWN BY: Kelly 2024/08/27			
04	BODY B	BRASS	GOLD	1	CUST. P/N: N/A DWG NO: N/A		CHK'D BY: Chili 2024/08/27			
03	INSULATOR B	TEFLON	NONE	1					REV.	
02	INSULATOR A	TEFLON	NONE	1					DA2408270004	
01	BODY A	BRASS	GOLD	1	SHEET 1 of 1 Unit: mm					
NO	DESCRIPTION	MATERIAL	FINISH	Q'TY						