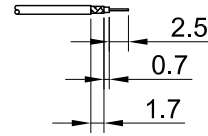
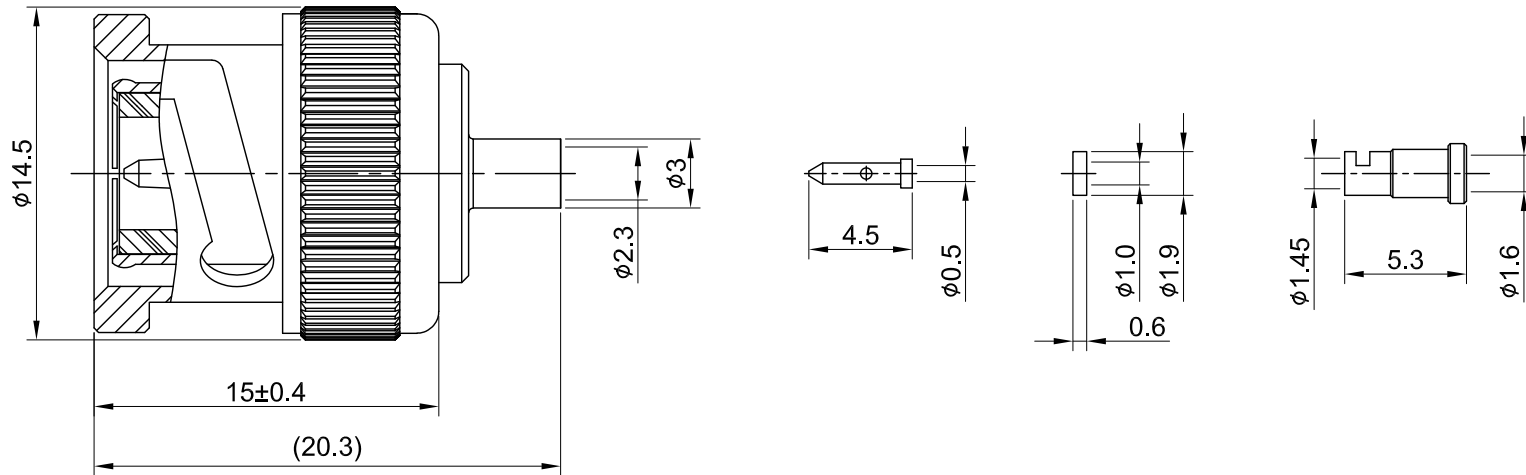


REV	DESCRIPTION	DATE
2.00	UPDATE DRAWINGS	2024/07/19
2.10	NEW DRAWING FRAME	2024/08/19



RECOMMENDED STRIP LENGTHS



11	FERRULE	BRASS	GOLD	1
10	GASKET	TEFLON	NONE	1
09	BULLET CONTACT	BRASS	GOLD	1
08	CENTER PIN	P.BRONZE	GOLD	1
07	INSULATOR	TEFLON	NONE	1
06	BODY	BRASS	NICKEL	1
05	WASHER	STEEL	NICKEL	1
04	SPRING	SK5	NICKEL	1
03	INNER RETAINING RING	STEEL	NICKEL	1
02	GASKET	SILICONE RUBBER	RED	1
01	SHELL	BRASS	NICKEL	1
NO	DESCRIPTION	MATERIAL	FINISH	Q'TY

TITLE		BNC(M)st crimp for 1.48									
DWG NO.		C15CA3F148001K									
CUST. P/N: N/A		DRAWN BY: Kelly 2024/08/19									
DWG NO: N/A		CHK'D BY: Eileen 2024/08/19									
SHEET 1 of 1		Unit: mm									
GENERAL TOLERANCES		<table border="1"> <tr> <td>.X</td> <td>±0.2</td> </tr> <tr> <td>.XX</td> <td>±0.2</td> </tr> <tr> <td>.XXX</td> <td>±0.2</td> </tr> <tr> <td>ANGLES</td> <td>N/A</td> </tr> </table>		.X	±0.2	.XX	±0.2	.XXX	±0.2	ANGLES	N/A
.X	±0.2										
.XX	±0.2										
.XXX	±0.2										
ANGLES	N/A										
		DA2408190008									
		REV. 2.10									

MECHANICAL DATA
TEMPERATURE RANGE : -65°C ~ + 165°C

ELECTRICAL DATA
FREQUENCY RANGE: DC~4GHz
IMPEDANCE : 50Ω
VSWR : 1.5 MAX.
WORKING VOLTAGE : AC 500V
WITHSTANDING VOLTAGE : AC 1500V
INSULATION RESISTANCE : 5000 MΩ MIN

