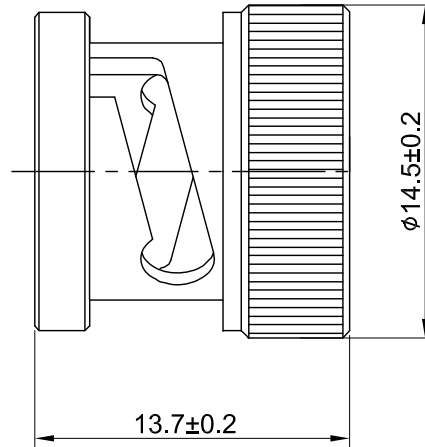


REV	DESCRIPTION	DATE
1.00	INITIAL DESIGN	2019/10/16
1.10	NEW DRAWING FRAME	2024/08/19



TITLE		BNC(M) protective cap with silicone gasket, w/o chain	
DWG NO.		C15CP3F99	
CUST.		P/N: N/A DWG NO: N/A	
SHEET		1 of 1 Unit: mm	
GENERAL TOLERANCES		DRAWN BY: Kelly 2024/08/19	
.X ±0.2		CHK'D BY: Eileen 2024/08/19	
.XX ±0.2			
.XXX ±0.2			
ANGLES N/A		REV. 1.10	
		DA2408190009	

NO	DESCRIPTION	MATERIAL	FINISH	Q'TY
02	GASKET	SILICONE	RED	1
01	SHELL	BRASS	NICKEL	1