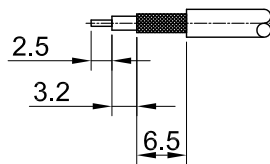
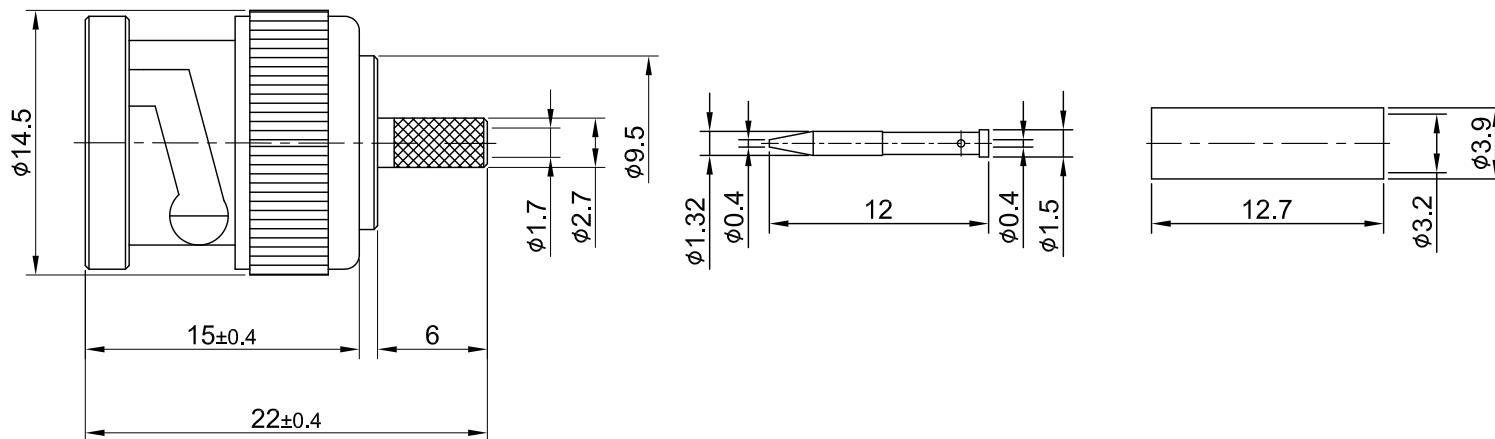


REV	DESCRIPTION	DATE
1.20	UPDATE GASKET MATERIAL	2022/07/11
1.30	NEW DRAWING FRAME	2024/03/29



RECOMMENDED STRIP LENGTHS



MECHANICAL DATA
TEMPERATURE RANGE : -65°C ~ + 165°C

ELECTRICAL DATA
FREQUENCY RANGE: DC~3GHz
IMPEDANCE : 75Ω
VSWR : 1.3 MAX.
WORKING VOLTAGE : AC 500V
WITHSTANDING VOLTAGE : AC 1500V
INSULATION RESISTANCE : 5000 MΩ MIN

09	FERRULE	BRASS	NICKEL	1
08	CENTER PIN	BRASS	GOLD	1
07	WASHER	STEEL	NICKEL	1
06	SPRING	SK5	NICKEL	1
05	INNER RETAINING RING	STEEL	NICKEL	1
04	GASKET	SILICONE RUBBER	RED	1
03	INSULATOR	TEFLON	NONE	1
02	BODY	BRASS	NICKEL	1
01	SHELL	ZINC	NONE	1
NO	DESCRIPTION	MATERIAL	FINISH	Q'TY

TITLE
BNC(M) st. crimp type for RG179(Zinc Shell, 75ohm)

DWG NO.
C15QA3F179001-Z

CUST.
P/N: N/A
DWG NO: N/A

SHEET 1 of 1 Unit: mm



GENERAL TOLERANCES		DRAWN BY: Kelly 2024/03/29	
.X	±0.2		REV. 1.30
.XX	±0.2		
.XXX	±0.2		
ANGLES	N/A	DA2403120001	1.30