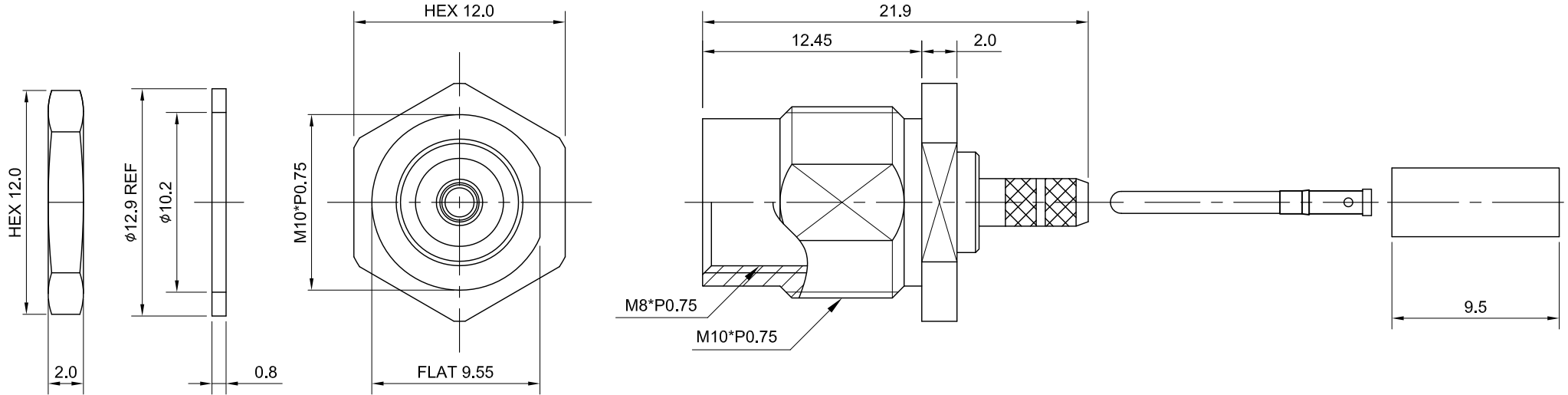
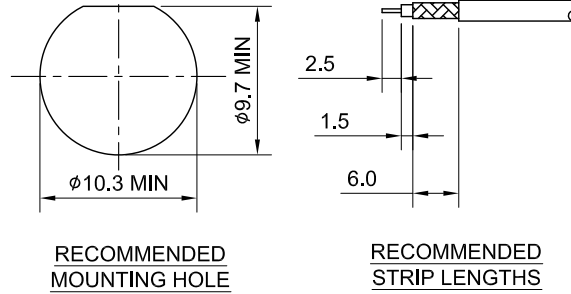


REV	DESCRIPTION	DATE
2.10	NEW DRAWING FRAME	2023/07/05
2.11	CORRECT INSULATION RESISTANCE UNIT	2024/08/13



MECHANICAL DATA
TEMPERATURE RANGE : -65°C ~ + 165°C

ELECTRICAL DATA
FREQUENCY RANGE: DC~1GHz
IMPEDANCE : 50Ω
VSWR : 1.5 MAX.
INSULATION RESISTANCE : 5000 MΩ MIN

06	FERRULE	BRASS	NICKEL	1
05	PIN	BRASS	GOLD	1
04	INSULATOR	TEFLON	NONE	1
03	BODY	BRASS	NICKEL	1
02	WASHER	BRASS	NICKEL	1
01	NUT	BRASS	NICKEL	1
NO	DESCRIPTION	MATERIAL	FINISH	Q'TY

TITLE		DRAWN BY: Kelly		2024/08/13	
FME(M) bulkhead crimp type for RG174		CHK'D BY: Chili		2024/08/13	
DWG NO. C29CBWS174001C		CUST. P/N: N/A		REV. 2.11	
DWG NO: N/A		SHEET 1 of 1		Unit: mm	
GENERAL TOLERANCES		DRAWN BY: Kelly		2024/08/13	
.X ±0.2		CHK'D BY: Chili		2024/08/13	
.XX ±0.2		DA2408130005		2.11	
.XXX ±0.2					
ANGLES N/A					

