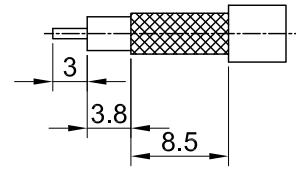
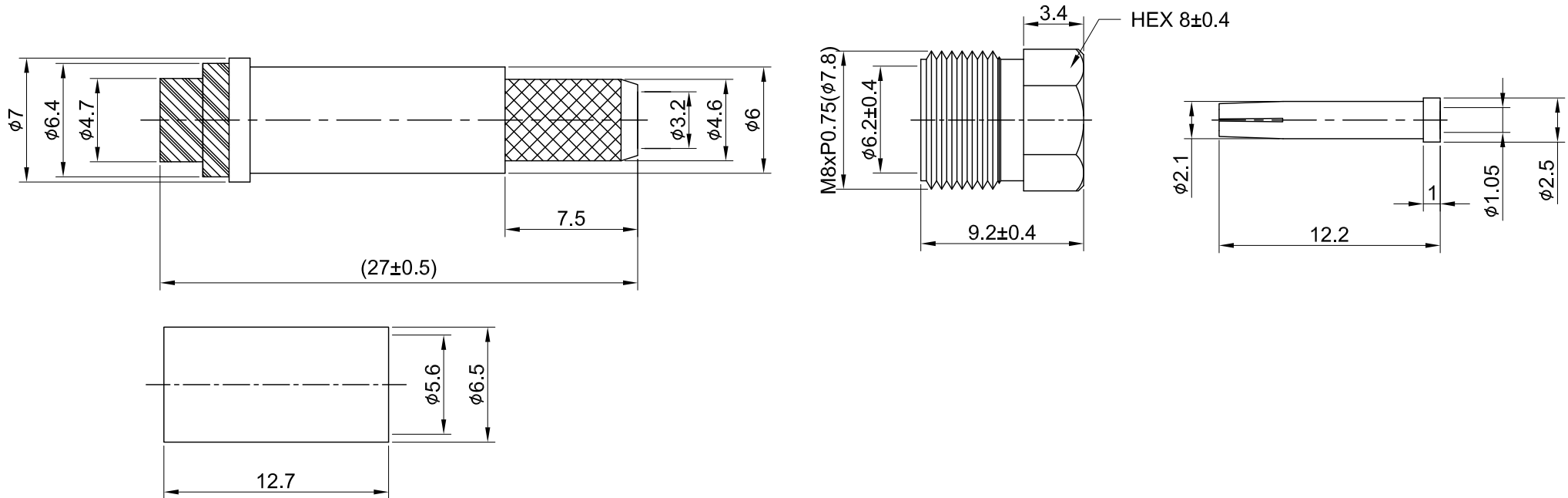


REV	DESCRIPTION	DATE
1.00	INITIAL DESIGN	2022/10/31
1.10	NEW DRAWING FRAME	2024/01/08



RECOMMENDED STRIP LENGTHS



MECHANICAL DATA
 DURABILITY : 100 CYCLES
 TEMPERATURE RANGE : -40°C ~ + 85°C

ELECTRICAL DATA
 FREQUENCY RANGE: DC~1.5GHz
 IMPEDANCE : 50Ω
 VSWR : 1.3 MAX.
 WORKING VOLTAGE : AC 500V
 WITHSTANDING VOLTAGE : AC 1000V
 INSULATION RESISTANCE : 5000 MΩ MIN

05	FERRULE	BRASS	NICKEL	1
04	NUT	BRASS	NICKEL	1
03	CENTER PIN	BRASS	GOLD	1
02	INSULATOR	POM	NONE	1
01	BODY	BRASS	NICKEL	1
NO	DESCRIPTION	MATERIAL	FINISH	Q'TY

TITLE		DRAWN BY: Kelly		2024/01/08	
FME(F)st crimp for RG58		CHK'D BY: Eileen		2024/01/08	
DWG NO. C30CA3F058A03A		CUST. P/N: N/A		REV. 1.10	
DWG NO: N/A		SHEET 1 of 1		Unit: mm	
GENERAL TOLERANCES		DRAWN BY: Kelly		2024/01/08	
.X ±0.2		CHK'D BY: Eileen		2024/01/08	
.XX ±0.2		DA2401080018		1.10	
.XXX ±0.2					
ANGLES N/A					

