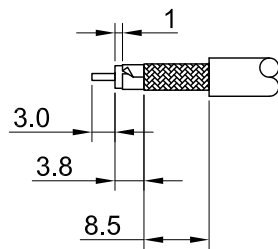
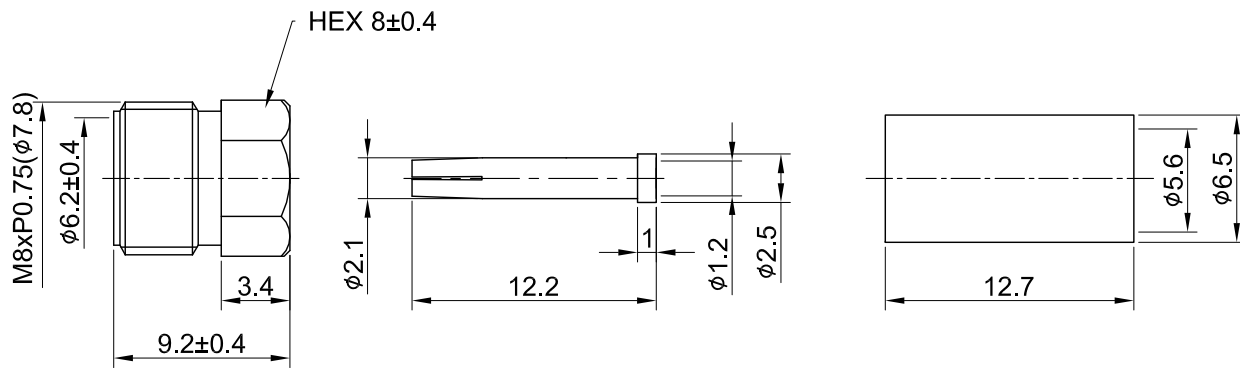
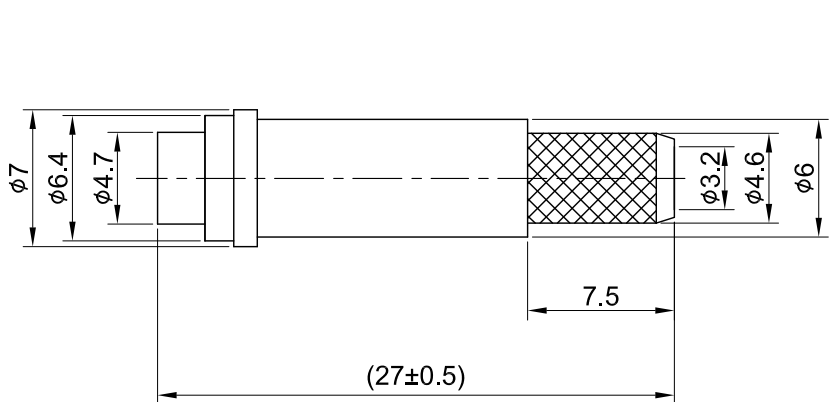


REV	DESCRIPTION	DATE
1.21	ADD BARREL LENGTH 7.5mm	2018/07/31
1.30	UPDATE RECOMMENDED STRIP LENGTHS	2024/01/08



▲ RECOMMENDED STRIP LENGTHS



MECHANICAL DATA
TEMPERATURE RANGE : -40°C ~ + 85°C

ELECTRICAL DATA
FREQUENCY RANGE: DC~1.5GHz
IMPEDANCE : 50Ω
VSWR : 1.3 MAX.
WORKING VOLTAGE : AC 500V
WITHSTANDING VOLTAGE : AC 1000V
INSULATION RESISTANCE : 5000 MΩ MIN

05	NUT	BRASS	NICKEL	1
04	FERRULE	BRASS	NICKEL	1
03	CENTER PIN	BRASS	GOLD	1
02	INSULATOR	POM	NONE	1
01	BODY	BRASS	NICKEL	1
NO	DESCRIPTION	MATERIAL	FINISH	Q'TY

TITLE		DRAWN BY: Kelly		2024/01/08	
FME(F)st. crimp for LMR200(Ni)		CHK'D BY: Eileen		2024/01/08	
DWG NO. C30CA3FL20003A		CUST. P/N: N/A		DWG NO: N/A	
SHEET 1 of 1		Unit: mm		REV. 1.30	
GENERAL TOLERANCES		DRAWN BY: Kelly		2024/01/08	
.X ±0.2		CHK'D BY: Eileen		2024/01/08	
.XX ±0.2		DA2401080016		1.30	
.XXX ±0.2					
ANGLES N/A					

