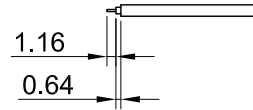
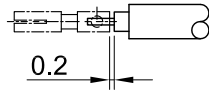
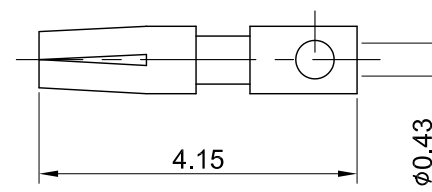
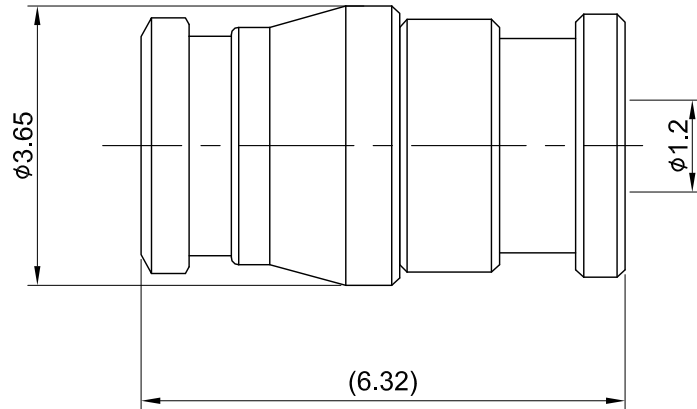


| REV  | DESCRIPTION  | DATE       |
|------|--|------------|
| 1.00 | INITIAL DESIGN   | 2017/01/10 |
| 1.10 | UPDATE RECOMMENDED STRIP LENGTHS ,<br>ADD ASSEMBLY SUGGESTIONS | 2024/08/22 |



ASSEMBLY SUGGESTIONS

▲ RECOMMENDED STRIP LENGTHS



MECHANICAL DATA  
 DURABILITY : 500 CYCLES  
 TEMPERATURE RANGE : -65°C ~ + 165°C

ELECTRICAL DATA  
 FREQUENCY RANGE: DC~6GHZ  
 IMPEDANCE : 50Ω  
 VSWR : 1.3 MAX.  
 WORKING VOLTAGE : AC 335V  
 WITHSTANDING VOLTAGE : AC 500V  
 INSULATION RESISTANCE : 5000 MΩ MIN

|    |             |          |        |      |
|----|-------------|----------|--------|------|
| 04 | RING        | Be.Cu    | GOLD   | 1    |
| 03 | CENTER PIN  | Be.Cu    | GOLD   | 1    |
| 02 | INSULATOR   | TEFLON   | NONE   | 1    |
| 01 | BODY        | Be.Cu    | GOLD   | 1    |
| NO | DESCRIPTION | MATERIAL | FINISH | Q'TY |

| TITLE                                   |  | DRAWN BY: Kelly  |  | 2024/08/22 |  |
|---|--|--|--|------------|--|
| SMP(F) st. solder type for 0.047" cable |  | CHK'D BY: Eileen   |  | 2024/08/22 |  |
| DWG NO. C60AA3F047002A                  |  |  |  |            |  |
| CUST. P/N: N/A                          |  | GENERAL TOLERANCES<br>.X ±0.2<br>.XX ±0.2<br>.XXX ±0.2<br>ANGLES N/A |  | REV. 1.10  |  |
| DWG NO: N/A                             |  | DA2408220008   |  |            |  |
| SHEET 1 of 1                            |  | Unit: mm   |  |            |  |