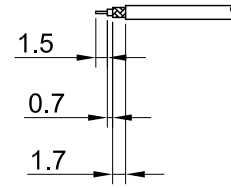
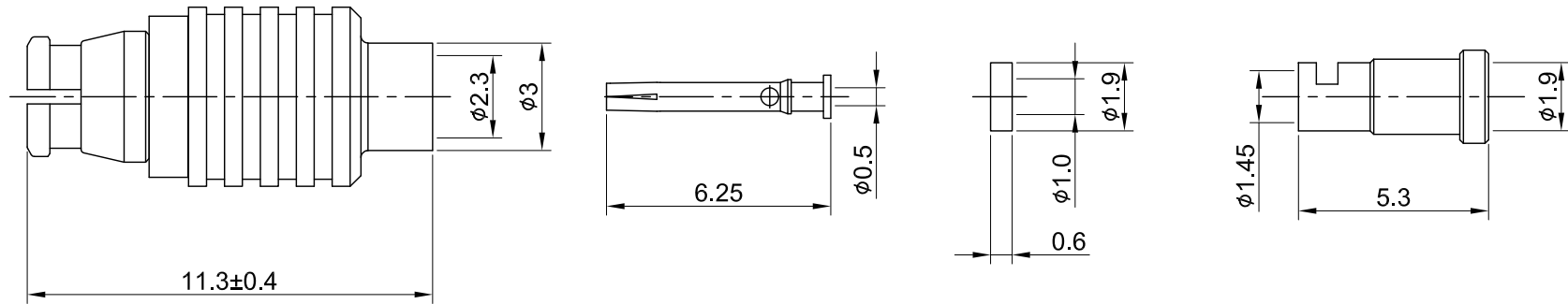


REV	DESCRIPTION	DATE
1.00	INITIAL DESIGN	2024/04/19



RECOMMENDED STRIP LENGTHS



MECHANICAL DATA
 DURABILITY : 500 CYCLES
 TEMPERATURE RANGE : -65°C ~ + 165°C

ELECTRICAL DATA
 FREQUENCY RANGE: DC~6GHZ
 IMPEDANCE : 50Ω
 VSWR : 1.3 MAX.
 WORKING VOLTAGE : AC 335V
 WITHSTANDING VOLTAGE : AC 500V
 INSULATION RESISTANCE : 5000 MΩ MIN

07	FERRULE	BRASS	GOLD	1
06	INSULATOR GASKET	TEFLON	NONE	1
05	CENTER PIN	Be.Cu	GOLD	1
04	CABLE BODY	BRASS	GOLD	1
03	RING	Be.Cu	GOLD	1
02	INSULATOR	TEFLON	NONE	1
01	BODY	Be.Cu	GOLD	1
NO	DESCRIPTION	MATERIAL	FINISH	Q'TY

TITLE		SMP(F) st. for RG178									
DWG NO.		C60AA3F178002B									
CUST. P/N: N/A		DRAWN BY: Kelly 2024/04/19									
DWG NO: N/A		CHK'D BY: Maria 2024/04/19									
SHEET 1 of 1		Unit: mm									
GENERAL TOLERANCES		<table border="0"> <tr> <td>.X</td> <td>±0.2</td> </tr> <tr> <td>.XX</td> <td>±0.2</td> </tr> <tr> <td>.XXX</td> <td>±0.2</td> </tr> <tr> <td>ANGLES</td> <td>N/A</td> </tr> </table>		.X	±0.2	.XX	±0.2	.XXX	±0.2	ANGLES	N/A
.X	±0.2										
.XX	±0.2										
.XXX	±0.2										
ANGLES	N/A										
DA2404180005		REV. 1.00									

