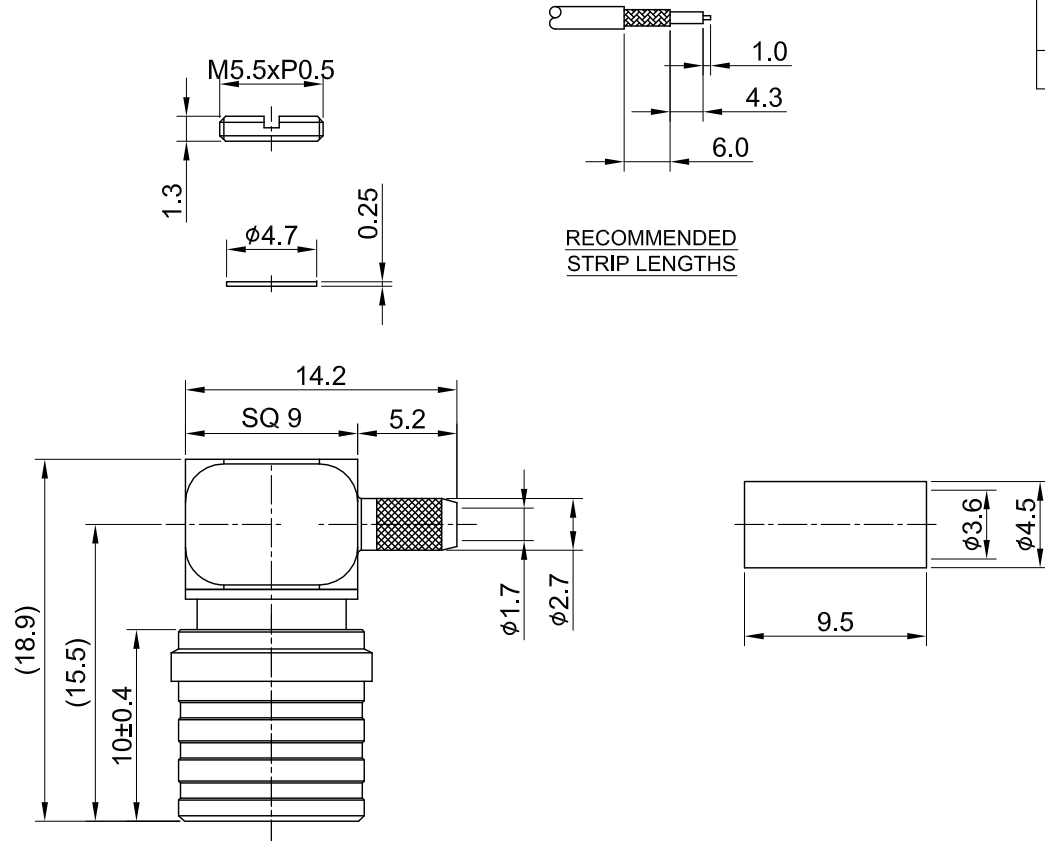


REV	DESCRIPTION	DATE
1.10	ADD ORING INSIDE, CHG DIM 15.5/18.9, CHG PRESS BODY	2016/02/17
1.20	NEW DRAWING FRAME	2024/08/14




10	O RING	SILICONE RUBBER	RED	1
09	FERRULE	BRASS	NICKEL	1
08	SHELL	BRASS	NICKEL	1
07	PRESS BODY	BRASS	NICKEL	1
06	BODY B	BRASS	NICKEL	1
05	INSULATOR	TEFLON	NONE	1
04	CENTER PIN	BRASS	GOLD	1
03	BODY A	BRASS	NICKEL	1
02	INSULATOR COVER	POM	NONE	1
01	WASHER	BRASS	NICKEL	1
NO	DESCRIPTION	MATERIAL	FINISH	Q'TY

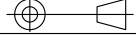
TITLE  
QMA(M) ra. crimp type for RD316 (NI), waterproof after mated

DWG NO.  
C61DA3F316D01

CUST.  
P/N: N/A  
DWG NO: N/A

SHEET 1 of 1 Unit: mm



GENERAL TOLERANCES	DRAWN BY: Kelly	2024/08/14
.X ±0.2	CHK'D BY: Eileen	2024/08/14
.XX ±0.2		
.XXX ±0.2		
ANGLES N/A	DA2408140005	REV. 1.20

MECHANICAL DATA  
TEMPERATURE RANGE : -40°C ~ + 85°C

ELECTRICAL DATA  
FREQUENCY RANGE: DC~6GHz  
IMPEDANCE : 50Ω  
VSWR : 1.5 MAX.  
WORKING VOLTAGE : AC 500V  
WITHSTANDING VOLTAGE : AC 1000V  
INSULATION RESISTANCE : 5000 MΩ MIN