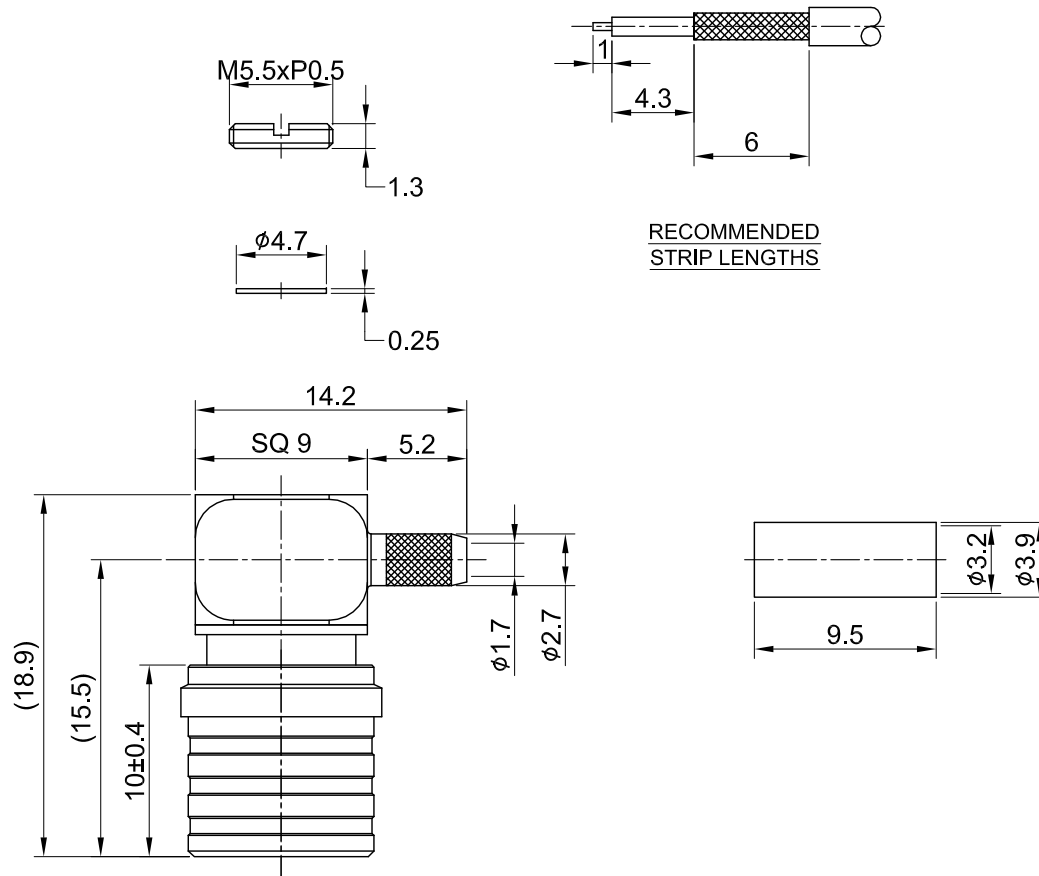


REV	DESCRIPTION	DATE
1.00	INITIAL DESIGN	2016/03/14
1.10	NEW DRAWING FRAME	2023/12/06
1.11	CHG WORKING VOLTAGE 500V W. 480V	2024/08/14



10	O RING	SILICONE RUBBER	RED	1
09	FERRULE	BRASS	NICKEL	1
08	SHELL	BRASS	NICKEL	1
07	PRESS BODY	BRASS	NICKEL	1
06	BODY	BRASS	NICKEL	1
05	INSULATOR	TEFLON	NONE	1
04	CENTER PIN	BRASS	GOLD	1
03	CABLE BODY	BRASS	NICKEL	1
02	INSULATOR COVER	POM	NONE	1
01	PRESS WASHER	BRASS	NICKEL	1
NO	DESCRIPTION	MATERIAL	FINISH	Q'TY

TITLE		QMA(M) ra. crimp type for RG174/RG316(NI)									
DWG NO.		C61DA3F174001									
CUST. P/N: N/A		DRAWN BY: Kelly 2024/08/14									
DWG NO: N/A		CHK'D BY: Eileen 2024/08/14									
SHEET 1 of 1		Unit: mm									
GENERAL TOLERANCES		<table border="0"> <tr> <td>.X</td> <td>±0.2</td> </tr> <tr> <td>.XX</td> <td>±0.2</td> </tr> <tr> <td>.XXX</td> <td>±0.2</td> </tr> <tr> <td>ANGLES</td> <td>N/A</td> </tr> </table>		.X	±0.2	.XX	±0.2	.XXX	±0.2	ANGLES	N/A
.X	±0.2										
.XX	±0.2										
.XXX	±0.2										
ANGLES	N/A										
DA2408140004		REV. 1.11									

MECHANICAL DATA  
TEMPERATURE RANGE : -40°C ~ + 85°C

ELECTRICAL DATA  
FREQUENCY RANGE: DC~6GHz  
IMPEDANCE : 50Ω  
VSWR : 1.5 MAX.  
WORKING VOLTAGE : AC 500V  
WITHSTANDING VOLTAGE : AC 1000V  
INSULATION RESISTANCE : 5000 MΩ MIN

