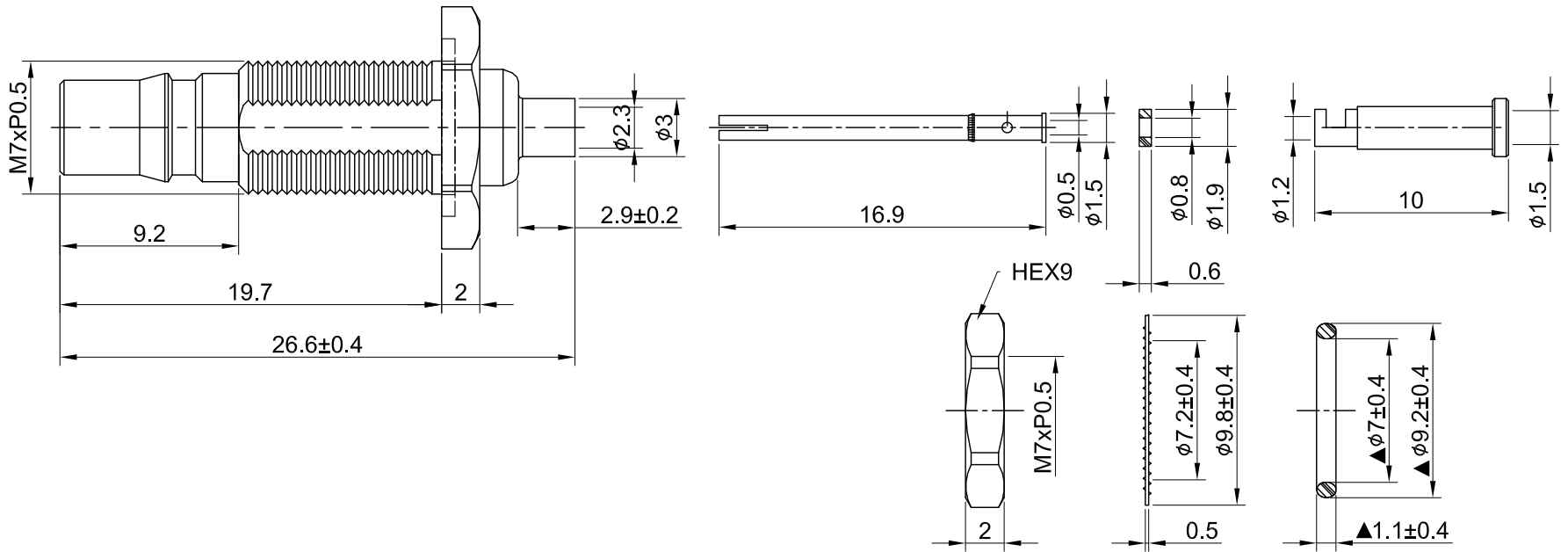
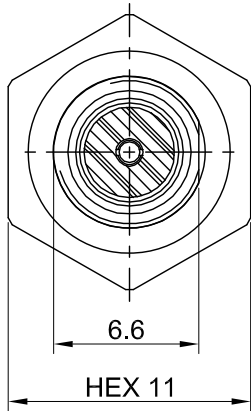
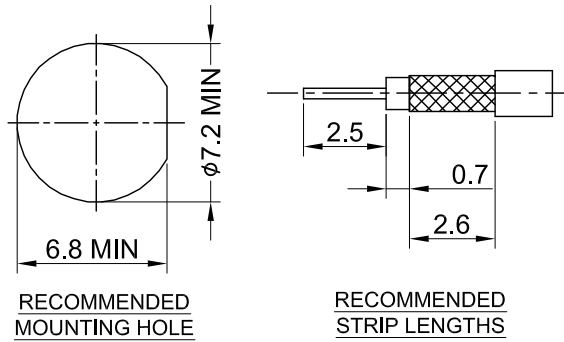


REV	DESCRIPTION	DATE
1.00	INITIAL DESIGN	2023/04/10
1.10	CHG $\phi 1.5$ W. $\phi 1.4$	2023/05/12
2.00	CORRECT GROOVE DIMENSION CHG $\phi 7/\phi 9.2/1.1$ W. $\phi 7.4/\phi 9/1$	2023/12/27



MECHANICAL DATA
 DURABILITY : 100 CYCLES
 TEMPERATURE RANGE : -65°C ~ + 165°C

ELECTRICAL DATA
 FREQUENCY RANGE: DC~6GHz
 IMPEDANCE : 50Ω
 VSWR : 1.5 MAX.
 WORKING VOLTAGE : AC 500V
 WITHSTANDING VOLTAGE : AC 1000V
 INSULATION RESISTANCE : 5000 MΩ MIN

09	NUT	BRASS	NICKEL	1
08	WASHER	STEEL	NICKEL	1
07	O RING	SILICONE RUBBER	RED	1
06	FERRULE	BRASS	GOLD	1
05	GASKET	TEFLON	NONE	1
04	CENTER PIN	P.BRONZE	GOLD	1
03	CABLE BODY	BRASS	NICKEL	1
02	BODY	BRASS	NICKEL	1
01	INSULATOR	TEFLON	NONE	1
NO	DESCRIPTION	MATERIAL	FINISH	Q'TY

TITLE
 QMA(F)st.bh.w/o-ring crimp for 1.32(10.5 thread for panel thickness 6mm use)

DWG NO.
 C62CD3F132002A-1

CUST.
 P/N: N/A
 DWG NO: N/A

SHEET 1 of 1 Unit: mm



GENERAL TOLERANCES		DRAWN BY: Kelly 2023/12/27	
.X	±0.2	CHK'D BY: Eileen 2023/12/27	
.XX	±0.2		
.XXX	±0.2		
ANGLES	N/A	DA2312270088	REV. 2.00