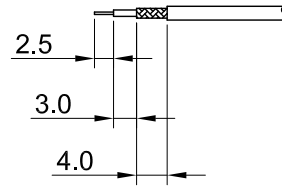
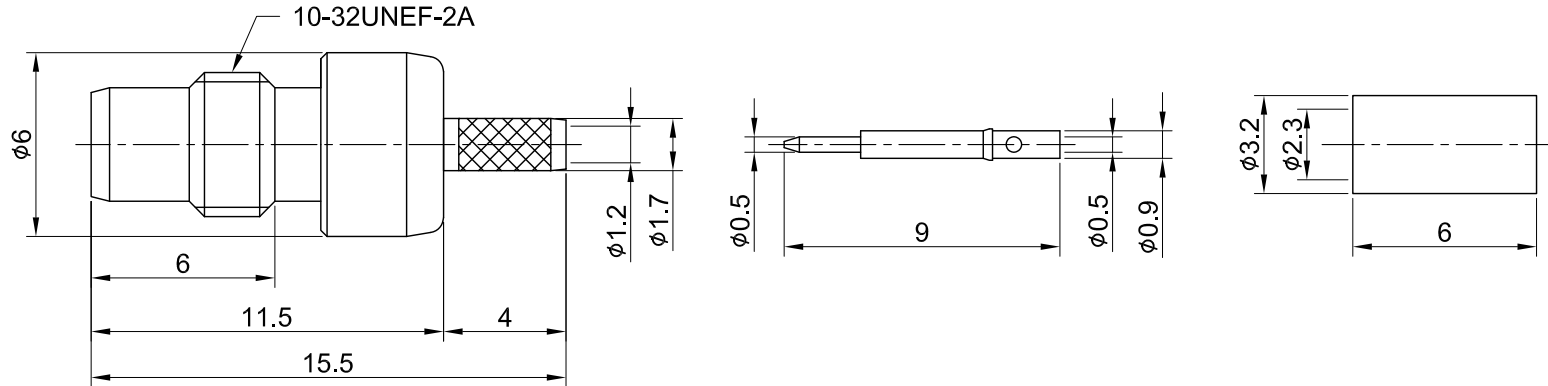


REV	DESCRIPTION	DATE
A	INITIAL DESIGN	2010/02/24
1.10	CHG STIP DIM 2.5/2.4/4.5 W. 2.5/3/4	2024/09/03
1.11	UPDATE VSWR	2024/09/25




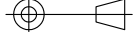
RECOMMENDED STRIP LENGTHS



MECHANICAL DATA
TEMPERATURE RANGE : -65°C ~ + 165°C

ELECTRICAL DATA
FREQUENCY RANGE: DC ~ 3GHz
IMPEDANCE : 50Ω
VSWR : 1.5 MAX.
WORKING VOLTAGE : AC 335V
WITHSTANDING VOLTAGE : AC 750V
INSULATION RESISTANCE : 1000 MΩ MIN

05	FERRULE	BRASS	GOLD	1
04	PIN	BRASS	GOLD	1
03	BODY B	BRASS	GOLD	1
02	INSULATOR	TEFLON	NONE	1
01	BODY A	BRASS	GOLD	1
NO	DESCRIPTION	MATERIAL	FINISH	Q'TY

TITLE			
SMC Straight Jack Crimp for RG178 Cable			
DWG NO. C14AA3F178008			
CUST. P/N: N/A DWG NO: N/A		GENERAL TOLERANCES	DRAWN BY: Kelly 2024/09/25
SHEET 1 of 1 Unit: mm		.X ±0.2 .XX ±0.2 .XXX ±0.2 ANGLES N/A	CHK'D BY: Chilli 2024/09/25
			REV. 1.11
		DA2409240021	