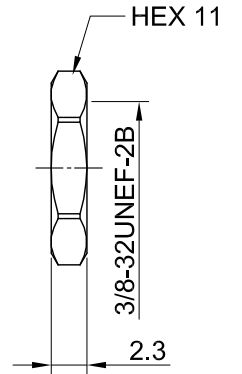
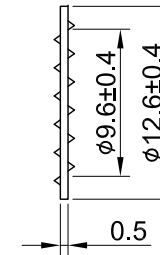
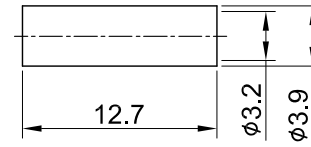
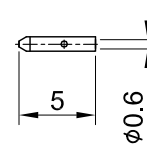
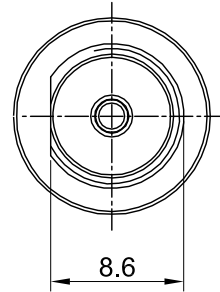
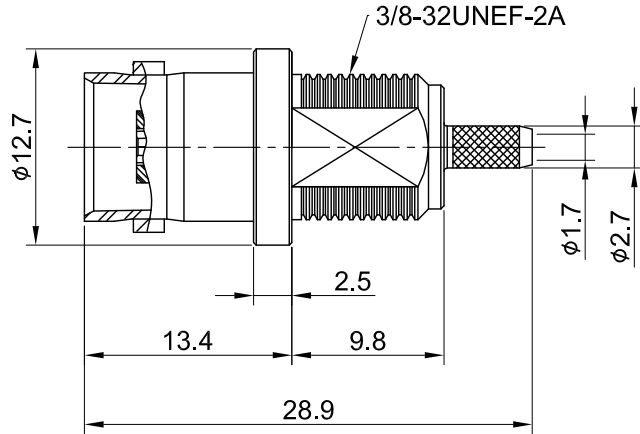
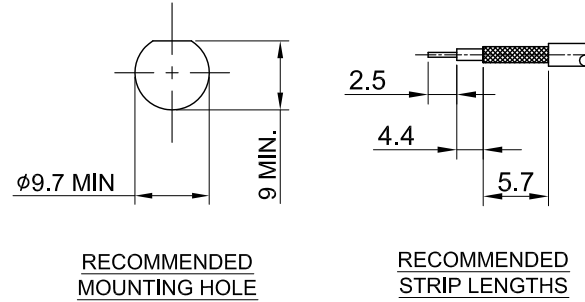


| REV  | DESCRIPTION       | DATE       |
|------|-------------------|------------|
| 2.00 | CHG 5 W. 3.8      | 2020/04/06 |
| 2.10 | NEW DRAWING FRAME | 2024/04/08 |



MECHANICAL DATA  
 DURABILITY : 100 CYCLES  
 TEMPERATURE RANGE : -65°C ~ + 165°C

ELECTRICAL DATA  
 FREQUENCY RANGE: DC~4GHz  
 IMPEDANCE : 50Ω  
 VSWR : 1.5 MAX.  
 WORKING VOLTAGE : AC 500V  
 WITHSTANDING VOLTAGE : AC 1500V  
 INSULATION RESISTANCE : 5000 MΩ MIN

|    |                |          |        |      |  |          |
|----|----------------|----------|--------|------|--|----------|
| 08 | NUT            | BRASS    | NICKEL | 1    | TITLE<br>BNC(F) bh. front mount for RG174/RG316, Pin in Pin, bh. thread L9.8 |          |
| 07 | WASHER         | STEEL    | NICKEL | 1    |  |          |
| 06 | FERRULE        | BRASS    | NICKEL | 1    |  |          |
| 05 | BULLET CONTACT | BRASS    | GOLD   | 1    | DWG NO.<br>C16CK3F174014B-1  |          |
| 04 | INSULATOR      | TEFLON   | NONE   | 1    |  |          |
| 03 | CENTER PIN     | P.BRONZE | GOLD   | 1    | CUST.<br>P/N: N/A<br>DWG NO: N/A   |          |
| 02 | PRESS WASHER   | BRASS    | NICKEL | 1    |  |          |
| 01 | BODY           | BRASS    | NICKEL | 1    |  |          |
| NO | DESCRIPTION    | MATERIAL | FINISH | Q'TY | SHEET 1 of 1   | Unit: mm |



|                    |                 |            |
|--------------------|-----------------|------------|
| GENERAL TOLERANCES | DRAWN BY: Kelly | 2024/04/08 |
| .X ±0.2            | CHK'D BY: Dora  | 2024/04/08 |
| .XX ±0.2           |                 |            |
| .XXX ±0.2          |                 |            |
| ANGLES N/A         |                 |            |
|                    | DA2403200019    | REV. 2.10  |