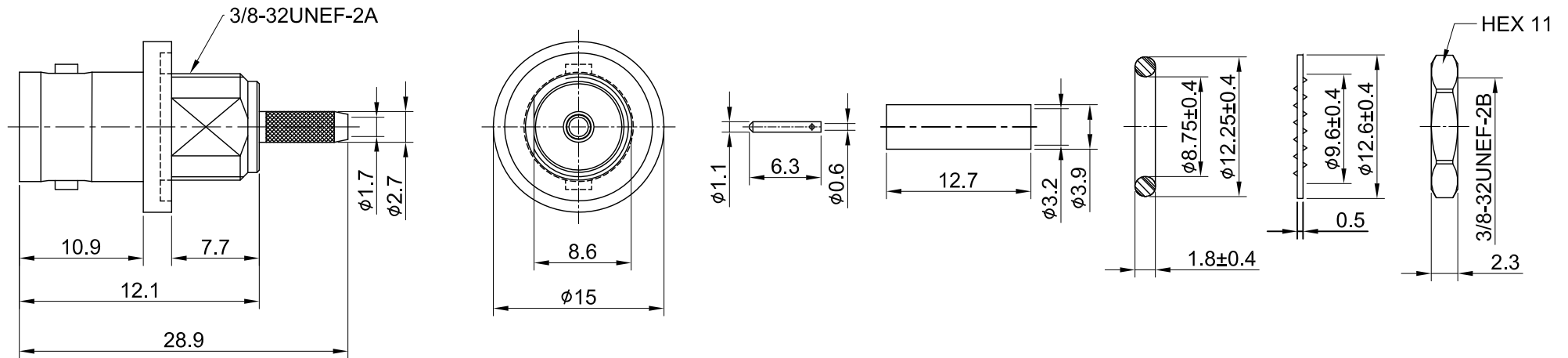
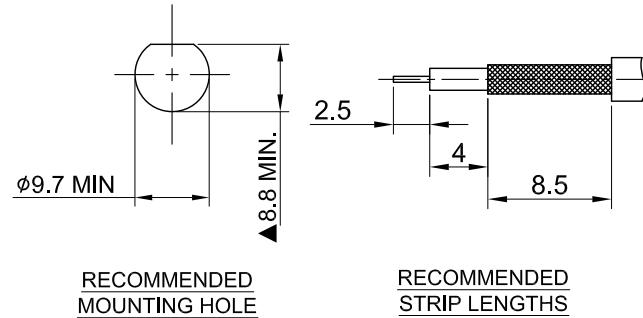


REV	DESCRIPTION	DATE
1.10	UPDATE PIN, CHG 6.3 W. 7.5	2022/11/17
1.20	CHG 8.8 W. 9.0	2024/04/01



MECHANICAL DATA
 DURABILITY : 500 CYCLES
 TEMPERATURE RANGE : -65°C ~ + 165°C

ELECTRICAL DATA
 FREQUENCY RANGE: DC~4GHz
 IMPEDANCE : 50Ω
 VSWR : 1.5 MAX.
 WORKING VOLTAGE : AC 500V
 WITHSTANDING VOLTAGE : AC 1500V
 INSULATION RESISTANCE : 5000 MΩ MIN

11	NUT	BRASS	NICKEL	1
10	WASHER	BRASS	NICKEL	1
09	O RING	RUBBER	BLACK	1
08	FERRULE	BRASS	NICKEL	1
07	BULLET CONTACT	BRASS	GOLD	1
06	BODY	BRASS	NICKEL	1
05	CENTER PIN	Be.Cu	GOLD	1
04	INSULATOR B	TEFLON	NONE	1
03	INSULATOR A	TEFLON	NONE	1
02	PRESS WASHER	BRASS	NICKEL	1
01	CENTER PIN	P.BRONZE	GOLD	1
NO	DESCRIPTION	MATERIAL	FINISH	Q'TY

TITLE		DRAWN BY: Kelly		2024/04/01
BNC(F) bh. front mount w/Oring for RG174		CHK'D BY: Kana		2024/04/01
DWG NO. C16CU3F174014B		REV.		1.20
CUST. P/N: N/A		DA2403120026		
DWG NO: N/A				
SHEET 1 of 1		Unit: mm		



GENERAL TOLERANCES	
.X	±0.2
.XX	±0.2
.XXX	±0.2
ANGLES	N/A