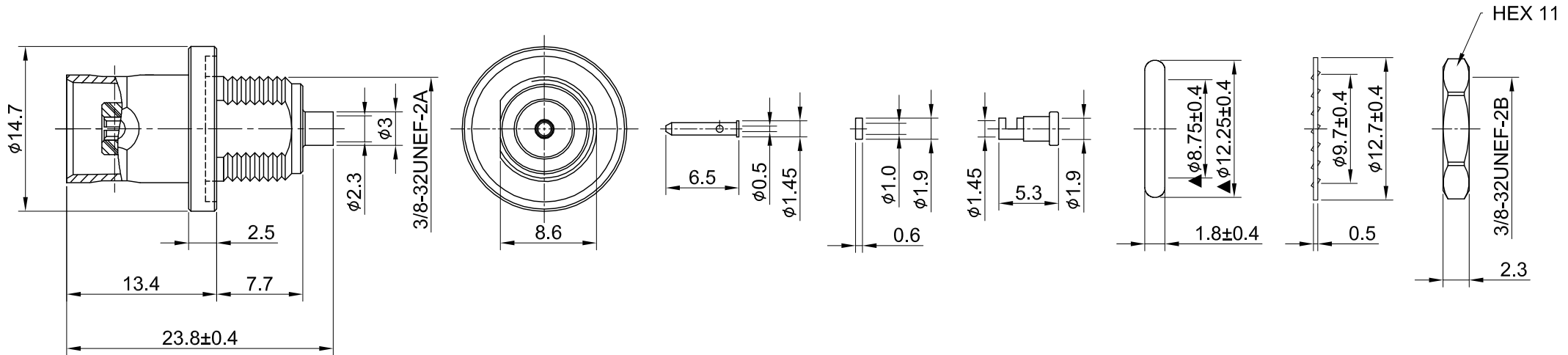
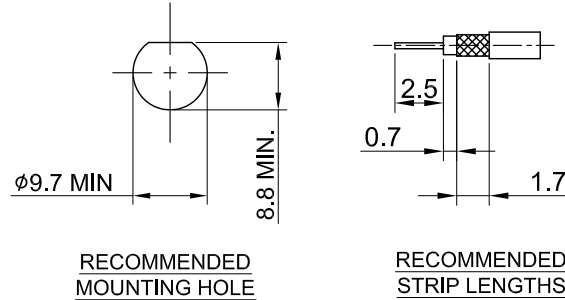


REV	DESCRIPTION	DATE
1.10	CORRECT FULL MATERIAL NAME SILICON RUBBER, CHG THE WASHER	2021/03/15
1.20	NEW DRAWING FRAME	2024/03/26
1.21	CORRECT ORING DIM	2024/09/04



MECHANICAL DATA  
 DURABILITY : 100 CYCLES  
 TEMPERATURE RANGE : -65°C ~ + 165°C

ELECTRICAL DATA  
 FREQUENCY RANGE: DC~4GHz  
 IMPEDANCE : 50Ω  
 VSWR : 1.5 MAX.  
 WORKING VOLTAGE : AC 500V  
 WITHSTANDING VOLTAGE : AC 1500V  
 INSULATION RESISTANCE : 5000 MΩ MIN

13	NUT	BRASS	NICKEL	1
12	LOCK WASHER	BRASS	NICKEL	1
11	O RING	SILICONE RUBBER	BLACK	1
10	INSULATOR C	TEFLON	NONE	1
09	FERRULE	BRASS	GOLD	1
08	BULLEY CONTACT	BRASS	GOLD	1
07	CABLE BODY	BRASS	NICKEL	1
06	BODY	BRASS	NICKEL	1
05	INSULATOR B	TEFLON	NONE	1
04	CENTER CONTACT	BRONZE	NICKEL	1
03	CENTER PIN	P.BRONZE	GOLD	1
02	INSULATOR A	TEFLON	NONE	1
01	PRESS WASHER	BRASS	NICKEL	1
NO	DESCRIPTION	MATERIAL	FINISH	Q'TY

TITLE		BNC(F) bh. front mount w/Oring for RG178	
DWG NO.		C16CU3F178014E	
CUST. P/N: N/A		DRAWN BY: Kelly 2024/09/04	
DWG NO: N/A		CHK'D BY: Maria 2024/09/04	
SHEET 1 of 1		REV. 1.21 DA2409040004	
Unit: mm		GENERAL TOLERANCES .X ±0.2 .XX ±0.2 .XXX ±0.2 ANGLES N/A	

