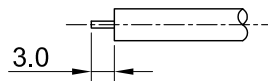
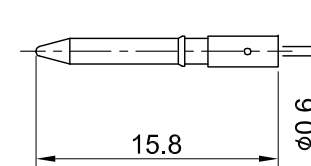
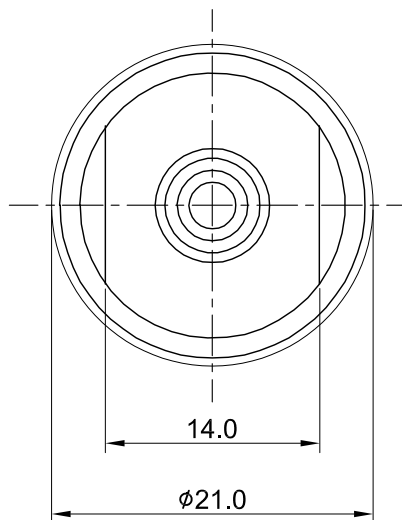
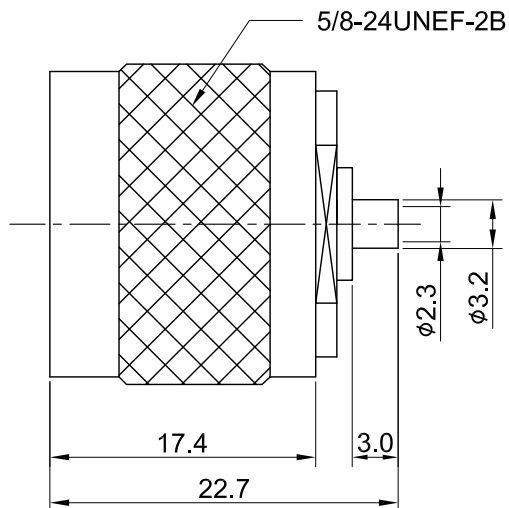


REV	DESCRIPTION	DATE
1.00	INITIAL DESIGN	2016/08/10
1.10	NEW DRAWING FRAME	2024/10/01



RECOMMENDED
STRIP LENGTHS



MECHANICAL DATA
TEMPERATURE RANGE : -65°C ~ + 165°C

ELECTRICAL DATA
FREQUENCY RANGE: DC~10GHz
IMPEDANCE : 50Ω
VSWR : 1.35 MAX.
WORKING VOLTAGE : AC 1000V
WITHSTANDING VOLTAGE : AC 2500V
INSULATION RESISTANCE : 5000 MΩ MIN

05	C RING	STAINLESS STEEL	NONE	1
04	GASKET	SILICONE RUBBER	NONE	1
03	CENTER PIN	BRASS	GOLD	1
02	INSULATOR	TEFLON	NONE	1
01	BODY	BRASS	NICKEL	1
NO	DESCRIPTION	MATERIAL	FINISH	Q'TY

TITLE	
N(M) st. solder type for 0.085/RG405, 10GHz	

DWG NO.	C27CA31085001D-1A
CUST. P/N:	N/A
DWG NO:	N/A
SHEET	1 of 1
Unit:	mm

GENERAL TOLERANCES	
.X	±0.2
.XX	±0.2
.XXX	±0.2
ANGLES	N/A

DRAWN BY:	Kelly	2024/10/01
CHK'D BY:	Eileen	2024/10/01
REV.	1.10	

DA2410010009