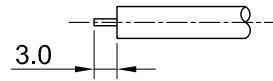
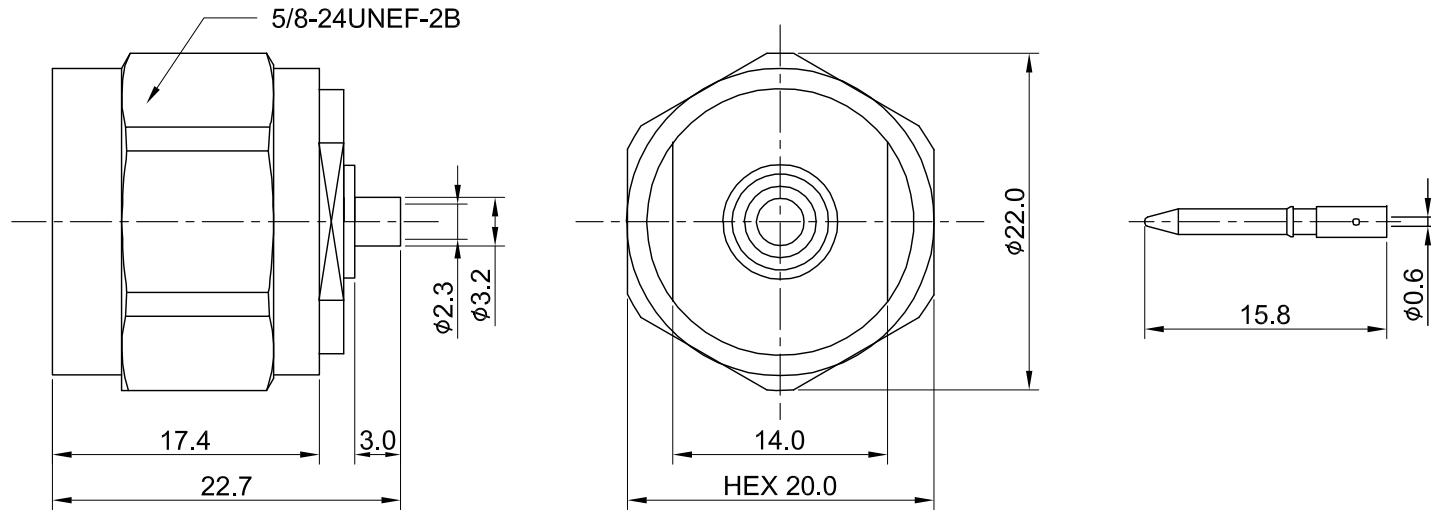


REV	DESCRIPTION	DATE
1.00	INITIAL DESIGN	2015/07/24
1.10	NEW DRAWING FRAME	2024/10/08



RECOMMENDED
STRIP LENGTHS



MECHANICAL DATA
TEMPERATURE RANGE : -65°C ~ + 165°C

ELECTRICAL DATA
FREQUENCY RANGE: DC~6GHZ
IMPEDANCE : 50Ω
VSWR : 1.35 MAX.
WORKING VOLTAGE : AC 1000V
WITHSTANDING VOLTAGE : AC 2500V
INSULATION RESISTANCE : 5000 MΩ MIN

TITLE
N(M) st. solder type for 0.085/RG405, Hex nut

05	C-RING	STAINLESS STEEL	NONE	1
04	GASKET	SILICONE RUBBER	NONE	1
03	CENTER PIN	BRASS	GOLD	1
02	INSULATOR	TEFLON	NONE	1
01	BODY	BRASS	NICKEL	1
NO	DESCRIPTION	MATERIAL	FINISH	Q'TY

DWG NO. C27CA31085013B	
CUST. P/N: N/A DWG NO: N/A	
SHEET 1 of 1	Unit: mm

GENERAL TOLERANCES

.X	±0.2
.XX	±0.2
.XXX	±0.2
ANGLES	N/A

DRAWN BY: Kelly 2024/10/08

CHK'D BY: Eileen 2024/10/08

REV. 1.10

DA2410070019	1.10
--------------	------