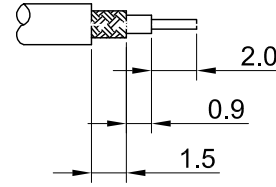
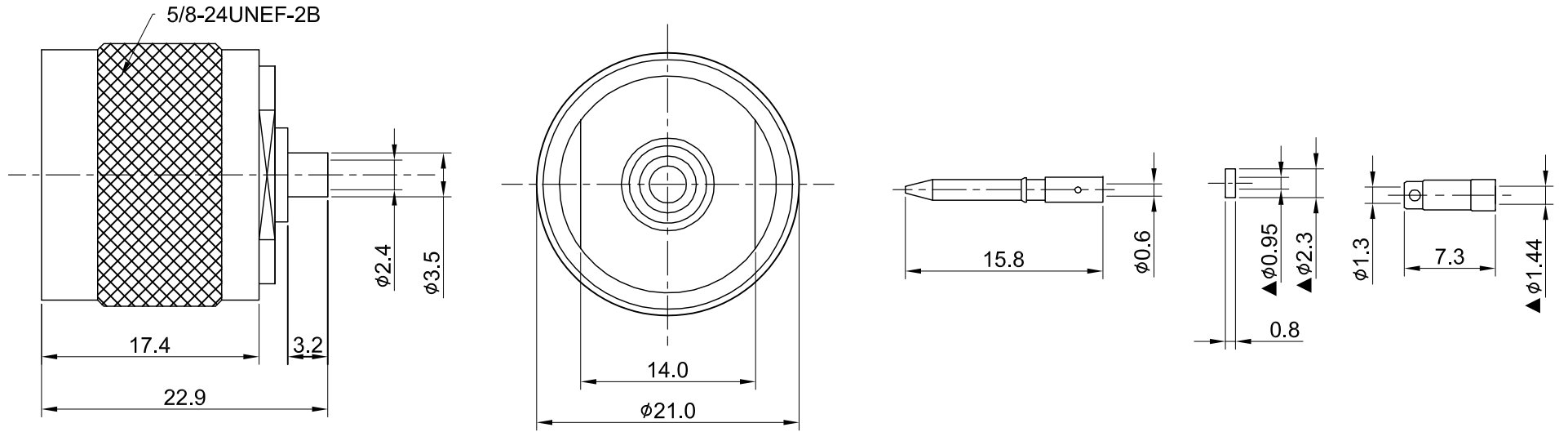


REV	DESCRIPTION	DATE
2.00	CHG Strip 1.5/0.9/2.0/0.8 W. 1.5/0.6/2.0/0.5	2014/06/09
2.10	ADD DIM $\phi 0.95/\phi 2.3$, CHG $\phi 1.44$ W. $\phi 1.4$	2024/10/01



RECOMMENDED STRIP LENGTHS



MECHANICAL DATA
TEMPERATURE RANGE : -65°C ~ + 165°C

ELECTRICAL DATA
FREQUENCY RANGE: DC~6GHZ
IMPEDANCE : 50Ω
VSWR : 1.35 MAX.
WORKING VOLTAGE : AC 1000V
WITHSTANDING VOLTAGE : AC 2500V
INSULATION RESISTANCE : 5000 MΩ MIN

07	C-RING	STAINLESS STEEL	NONE	1
06	FERRULE	BRASS	NICKEL	1
05	SHELL	BRASS	NICKEL	1
04	GASKET	SILICONE RUBBER	NONE	1
03	CENTER PIN	BRASS	GOLD	1
02	INSULATOR	TEFLON	NONE	1
01	BODY	BRASS	NICKEL	1
NO	DESCRIPTION	MATERIAL	FINISH	Q'TY

TITLE		DRAWN BY: Kelly		2024/10/01
N(M)st. for 1.37		CHK'D BY: Eileen		2024/10/01
DWG NO. C27CA31137001C		REVISION		2.10
CUST. P/N: N/A DWG NO: N/A		DA2410010013		
SHEET 1 of 1		Unit: mm		



GENERAL TOLERANCES		REVISION	
.X	±0.2	2.10	
.XX	±0.2		
.XXX	±0.2		
ANGLES	N/A		