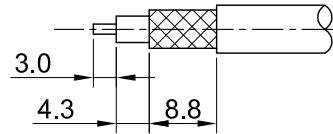
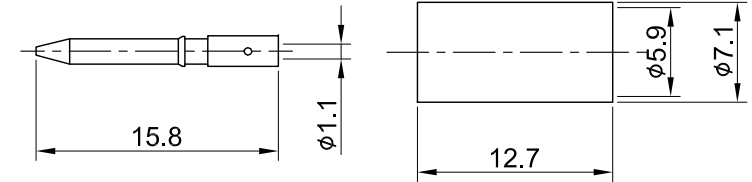
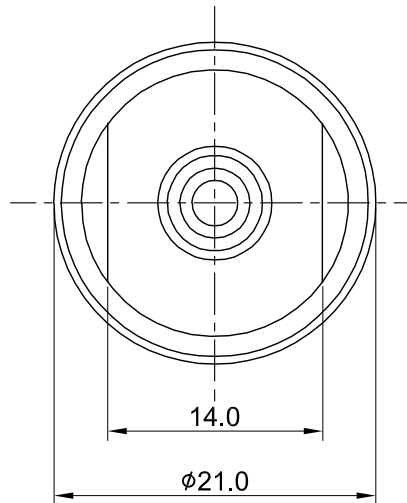
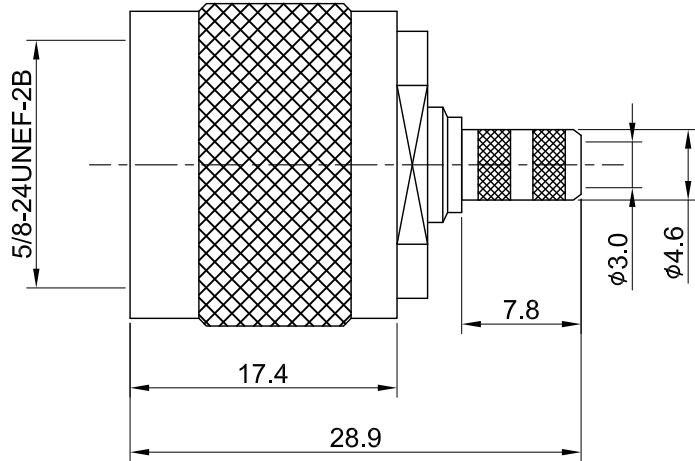


REV	DESCRIPTION	DATE
1.00	INITIAL DESIGN	2014/01/13
2.00	CHG 28.9/ ϕ 5.9/ ϕ 7.1/ 4.3/ 8.8 w. 29/ ϕ 5.8/ ϕ 6.5/ 3.3/ 8.5	2023/04/24
2.01	ADD MECHANICAL & ELECTRICAL DATA	2024/10/08



RECOMMENDED
STRIP LENGTHS



MECHANICAL DATA
TEMPERATURE RANGE : -65°C ~ + 165°C

ELECTRICAL DATA
FREQUENCY RANGE: DC~6GHZ
IMPEDANCE : 50 Ω
VSWR : 1.35 MAX.
WORKING VOLTAGE : AC 1000V
WITHSTANDING VOLTAGE : AC 2500V
INSULATION RESISTANCE : 5000 M Ω MIN

06	FERRULE	BRASS	NICKEL	1
05	C-RING	SUS304	NONE	1
04	O-RING	SILICONE RUBBER	RED	1
03	CENTER PIN	BRASS	GOLD	1
02	INSULATOR	TEFLON	NONE	1
01	BODY	BRASS	NICKEL	1
NO	DESCRIPTION	MATERIAL	FINISH	Q'TY

TITLE		DRAWN BY:		DATE	
N Straight Plug Crimp for RG142 Cable		Kelly		2024/10/08	
DWG NO. C27CA31142001		CHK'D BY:		EILEEN 2024/10/08	
CUST. P/N: N/A DWG NO: N/A		GENERAL TOLERANCES		REV.	
SHEET 1 of 1 Unit: mm		.X \pm 0.2 .XX \pm 0.2 .XXX \pm 0.2 ANGLES N/A		DA2410070020 2.01	

