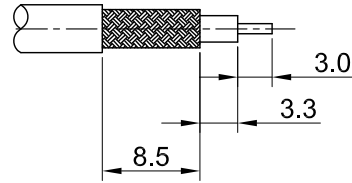
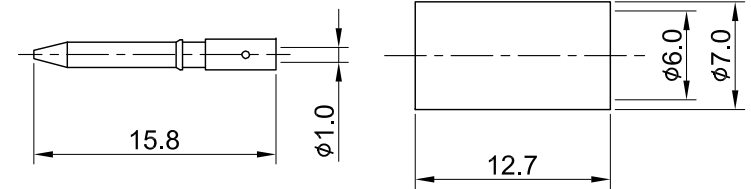
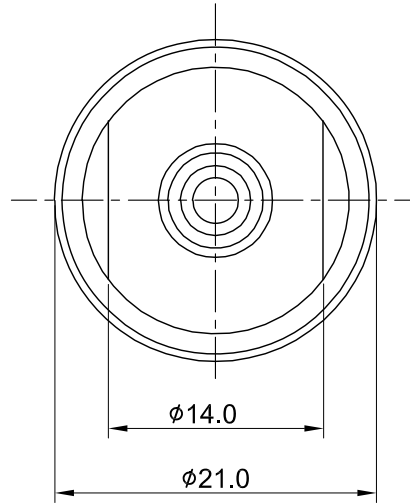
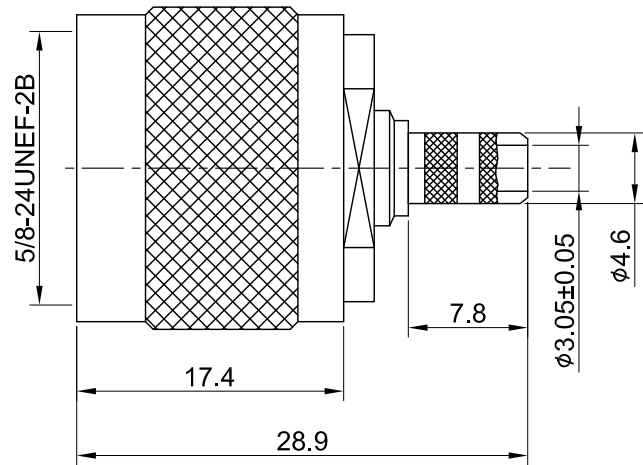


REV	DESCRIPTION	DATE
1.10	CHG DIM 28.9/φ3.05±0.05 W. 29/φ3.0	2015/03/18
1.20	NEW DRAWING FRAME	2024/02/06



RECOMMENDED STRIP LENGTHS



MECHANICAL DATA
TEMPERATURE RANGE : -65°C ~ + 165°C

ELECTRICAL DATA
FREQUENCY RANGE: DC~6GHZ
IMPEDANCE : 50Ω
VSWR : 1.35 MAX.
WORKING VOLTAGE : AC 1000V
WITHSTANDING VOLTAGE : AC 2500V
INSULATION RESISTANCE : 5000 MΩ MIN

07	C-RING	STAINLESS STEEL	NONE	1
06	FERRULE	BRASS	NICKEL	1
05	SHELL	BRASS	NICKEL	1
04	GASKET	SILICONE RUBBER	NONE	1
03	CENTER	BRASS	GOLD	1
02	INSULATOR	TEFLON	NONE	1
01	BODY	BRASS	NICKEL	1
NO	DESCRIPTION	MATERIAL	FINISH	Q'TY

TITLE		DRAWN BY: Kelly		2024/02/06
N(M)st. crimp for RG223		CHK'D BY: David		2024/02/06
DWG NO. C27CA31223001		REVISION		REV. 1.20
CUST. P/N: N/A DWG NO: N/A		DA2402050082		
SHEET 1 of 1		Unit: mm		

Wellshow logo and drawing information including 'DRAWN BY: Kelly', 'CHK'D BY: David', and 'REVISION 1.20'.