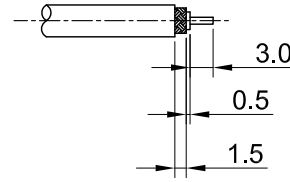
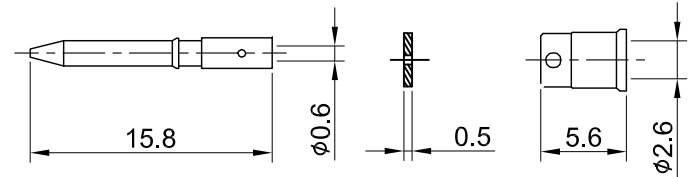
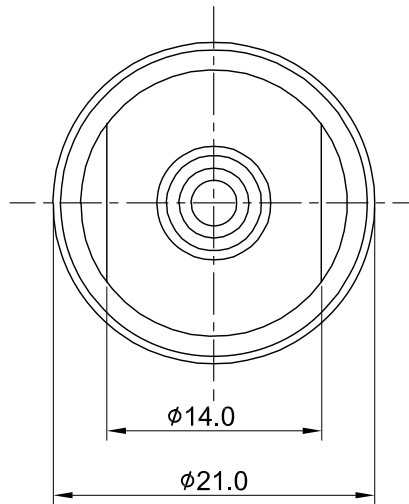
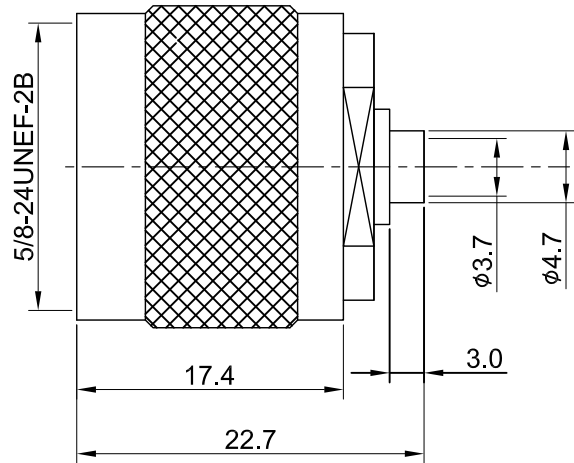


REV	DESCRIPTION	DATE
1.00	INITIAL DESIGN	2014/06/09
1.10	NEW DRAWING FRAME	2024/10/14



RECOMMENDED STRIP LENGTHS



MECHANICAL DATA
TEMPERATURE RANGE : -65°C ~ + 165°C

ELECTRICAL DATA
FREQUENCY RANGE: DC~6GHZ
IMPEDANCE : 50Ω
VSWR : 1.35 MAX.
WORKING VOLTAGE : AC 1000V
WITHSTANDING VOLTAGE : AC 2500V
INSULATION RESISTANCE : 5000 MΩ MIN

07	INSULATOR B	TEFLON	NONE	1
06	FERRULE	BRASS	NICKEL	1
05	C-RING	STAINLESS STEEL	NONE	1
04	GASKET	SILICONE RUBBER	NONE	1
03	CENTER PIN	BRASS	GOLD	1
02	INSULATOR A	TEFLON	NONE	1
01	BODY	BRASS	NICKEL	1
NO	DESCRIPTION	MATERIAL	FINISH	Q'TY

TITLE		DRAWN BY:		CHK'D BY:		REVISION	
N(M)st. for RG316		Kelly		Eileen		REV.	
DWG NO. C27CA31316001C		2024/10/14		2024/10/14		1.10	
CUST. P/N: N/A DWG NO: N/A		DA2410140006					
SHEET 1 of 1		Unit: mm					



GENERAL TOLERANCES		ANGLES	
.X	±0.2		
.XX	±0.2		
.XXX	±0.2		
ANGLES	N/A		